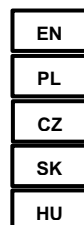
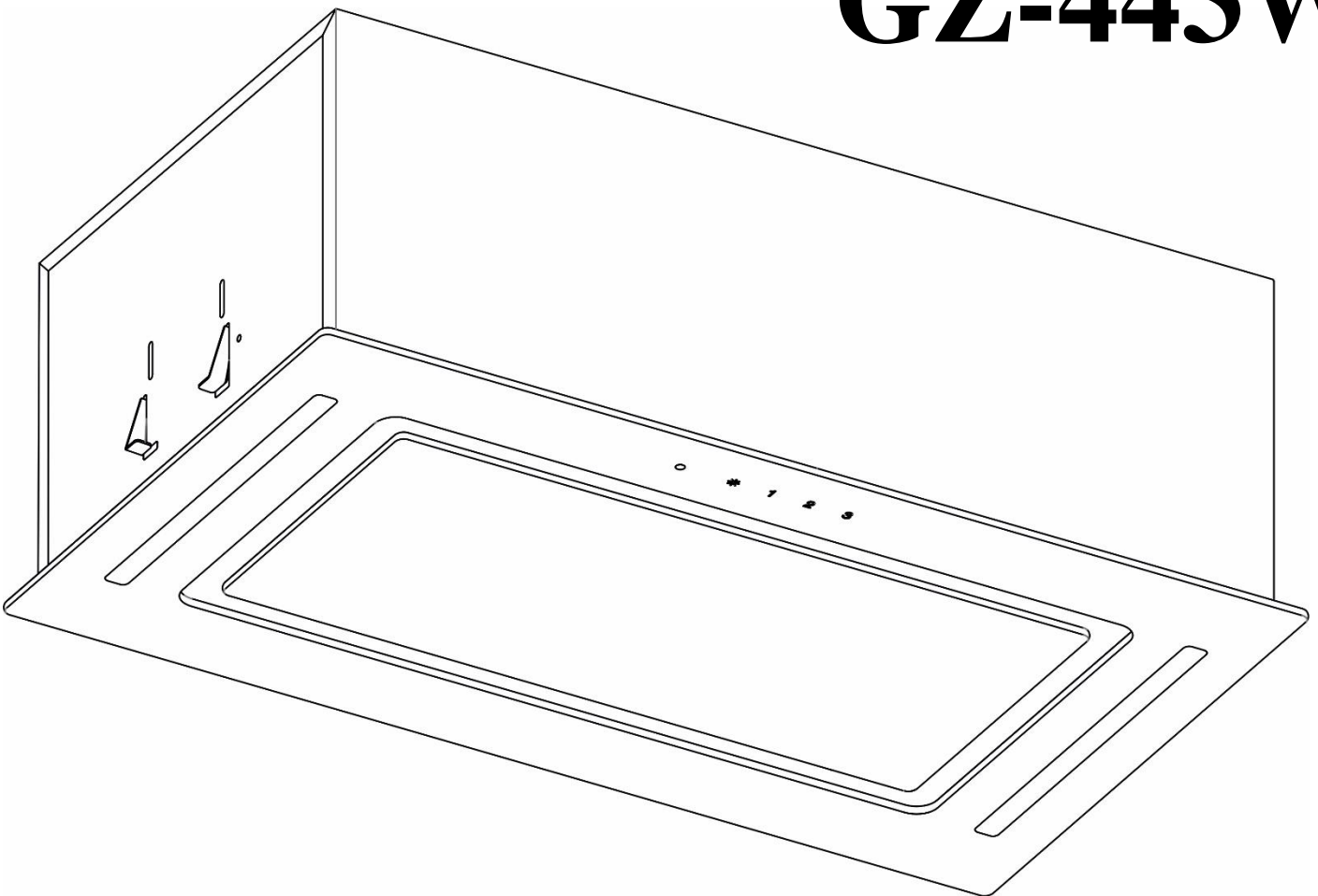


guzzanti

**KITCHEN EXTRACTOR HOOD
OKAP WYSPOWY(WENTYLACYJNY)
KUCHYŇSKÁ VENTILAČNÍ DIGESTOŘ
KUCHYNSKÝ VENTILAČNÝ DIGESTOR
KONYHAI PÁRAELSZIVÓ**

GZ-443W



**USER'S MANUAL
INSTRUKCJA OBSŁUGI
NÁVOD K OBSLUZE
NÁVOD NA OBSLUHU
ASZNÁLATI UTASÍTÁS**

Dear customer!

Thank you for choosing the products of the brand " GUZZANTI ". We put our best efforts so you were satisfied with your choice.

1. GENERAL INFORMATION

1.1 Prior to installing the extractor hood carefully read our recommendations, following which will provide safe work of the appliance. Save this User's manual, as it contains answers to the questions which may arise later.

BEFORE STARTING THE OPERATION (SWITCHING ON) THE APPLIANCE MUST BE HELD AT THE ROOM TEMPERATURE FOR AT LEAST TWO HOURS.

1.2. This appliance is intended for extraction of polluted air from the space above the cooking appliance, and intended for domestic use and the household environment only.

USE OF THE APPLIANCE IN GOALS OTHER THAN DOMESTIC IS FORBIDDEN. THE RISK OF INJURY AND PROPERTY DAMAGE INCREASES IN CASE OF USE OF THE EXTRACTOR HOOD WITH PURPOSES OTHER THAN INTENDED, WHAT WILL LEAD TO WARRANTY CANCELLATION.

1.3. Use of the extractor hood decreases the content of harmful products of incomplete combustion of natural gas, as well as odors produced during cooking in the air, and prevents pollution of walls, ceiling, and furniture with grease and soot.

1.4. The appliance is an air purifying device of the exhaust type with a diameter fan (turbine), completed with a grease picking aluminum filter (**included**) and has the option of upgrading with a carbon odor filter. It is manufactured from sheets of carbon steel with a decorative protective coating of powder paints - **360 mm in width.**

1.5. Depending on the installation scheme over the cooker, the extractor hood can work in two variants:

- in the mode of air extraction into the stationary ventilation shaft (chimney) of the kitchen using corrugated aluminum or plastic air-ducts **Ø150mm or Ø120mm (see item 5.3);**
- in the recirculation mode (closed circular air circulation in the kitchen), when the extractor hood is not connected to chimney, and the air is passed through aluminum grease filter (included) and smothering carbon filter and is returned to the kitchen (**see paragraph 5.3**).

1.6. Attention! Do not start extractor hood installation before connecting it to electricity network and checking its technical serviceability, and checking all of its functions.

1.7. We recommend that all installation works, connection, and repair of your extractor hood should be carried only by qualified specialists professionally engaged in the execution of such works.

1.8. The manufacturer does not bear responsibility for any damages and failures, caused by incorrect installation, operation, and repair of the extractor hood.

1.9. The manufacturer reserves the right to modify the product in order to improve its quality and technical specifications.

1.10. Technical specifications for the extractor hood are indicated in this manual and on the label attached to the inner surface of the body (access to it opens when the filter is removed).

Attention! The extractor hood should be installed on the wall at the distance of 650-750mm above the electric cooker and at the distance 750-850 mm above the gas cooker.

2. MAIN TECHNICAL SPECIFICATIONS

Model of kitchen extractor hood		GZ-443W
Network voltage, V		220-230
AC frequency, Hz		50
Control type		sensor
Number of operation modes		3
Rated power consumption, W	Of the motor	120
	Lighting (LED)	2x3
	General	126
Productivity while connecting to standard ventilation system m³/hour		481
Overall dimensions of the extractor hood, mm	Width	700
	Depth	295
	Height	235
Connection size of ventilation duct, mm		Ø150 / Ø120
Weight, kg		8
Noise level, dB		54-64
Protection class		I
Operation mode		S1 (long-lasting)
Electro cable type		Armoured and grounded

3. PARTS SUPPLIED

Item	Quantity
Kitchen extractor hood	1 pcs.
Plastic pipe adapter (from Ø150 to Ø120mm)	1 pcs.
User's manual	1 pcs.

4. SAFETY REQUIREMENTS

<u>ATTENTION!</u>	IT IS FORBIDDEN TO CONNECT THE EXTRACTOR HOOD TO THE NETWORK OF THE ELECTRIC COOKER. PROTECT ELECTRIC CORD FROM MECHANICAL AND THERMAL DAMAGE.
--------------------------	---

4.1. While installing, the operation of conducting technical services, it is strictly forbidden to:

- connect the extractor hood to the electricity network with a voltage and frequency that does not correspond to those specified in paragraph 2;
- use lighting lamps with a power output of more than **3 watts (LED)**;

- carry out maintenance, replace lamps, remove filters, clean the extractor hood without removing the plug from the mains socket;
- operate the extractor hood with an open fire source, open gas burners or heating elements. **Heating elements should be always covered with dishes;**
- prepare food with use of alcohol;
- leave the fryer unattended;
- operate the extractor hood with removed filters;
- connect the extractor hood to the electric network of the cooker, cut the socket of the electric cord while installing.

ATTENTION! IT IS FORBIDDEN TO USE GAS (ELECTRIC) COOKER IF THE EXTRACTOR HOOD IS TURNED OFF.

4.2. In order to avoid damage by electric current, the extractor hood must be plugged into a grounded outlet.

4.3. The extractor hood connected to the separate ventilation shaft. It is forbidden to connect other appliances to the same ventilation shaft.

4.4. Using the extractor hood together with other heating appliances (gas, oil, ovens, etc.), besides electric, it is necessary to provide the premises, in which the extractor hood is installed with the additional flow of the fresh air (for example to open the window).

4.5. For air extraction to the chimney use air duct Ø150 / 120mm. A smaller diameter will create additional air resistance, which will increase noise and vibration, as well as motor overheating.

4.6. Provide timely cleaning of non-disposable aluminum removal filters, otherwise, the efficiency of the extraction will decrease and there will be a fire hazard due to the accumulation of grease and dust in the filter.

4.7. It is forbidden to turn on the extractor hood in case of ignition with the purpose of reduction of smoke until complete localization of fire.

4.8. In case of ignition under the extractor hood, cover the fire with a thick cloth, disconnect the extractor from the electric network, do not use water to extinguish a fire in the places where the electrical appliances are located.

4.9. Protect the cord for connection to the electric network from the mechanic and thermal damages.

5. EXTRACTOR HOOD DESCRIPTION

5.1. The appliance «GZ-443» is an air purifying device of the exhaust type with a diameter fan (turbine), completed with a grease picking aluminum filter. It is manufactured from sheets of carbon steel with a decorative protective coating of powder paints.

5.2 The cooker hood refers to the type of “built-in” cooker hoods and is built into the kitchen furniture set on the wall above the cooker.

5.3. Depending on the installation scheme over the cooker, the extractor hood can work in two variants (see item 1.5):

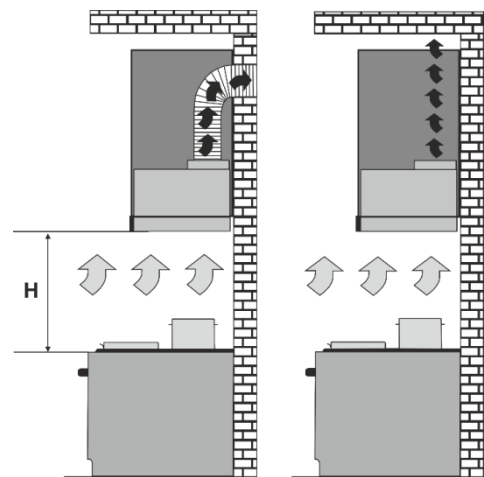
- in the mode of air extraction into the chimney of the kitchen (pic. 1).
- in the recirculation mode (pic. 2) (closed circular air circulation in the kitchen).

Distance H:

To electric cooker 65-75cm

To gas cooker 75-85cm

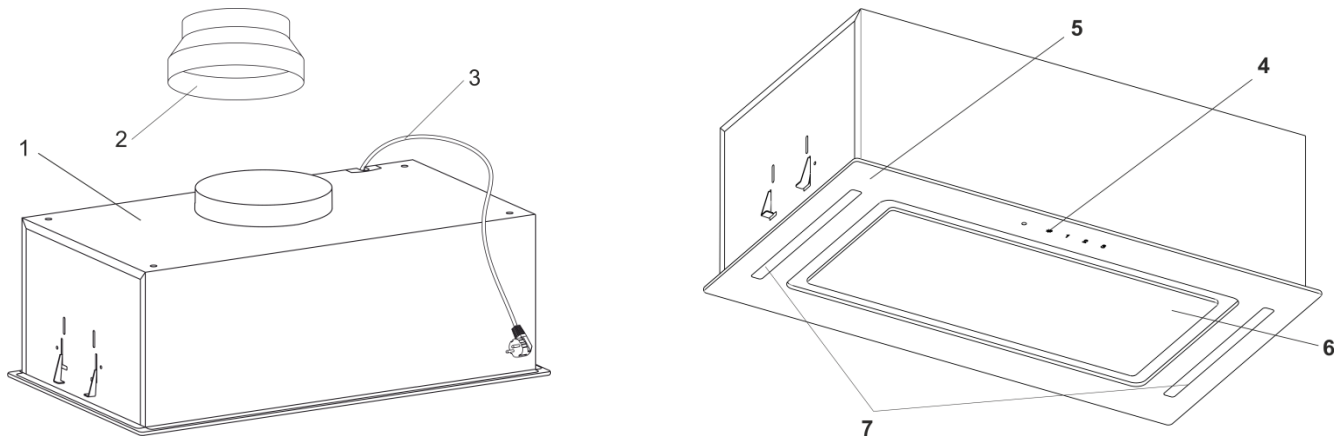
“It is necessary to consider, that when the extractor hood is on, the pressure is automatically lowered in the enclosed room, and should be balanced with an inflow of fresh air. This may be achieved by opening doors and windows or with use of equipment for special inflow ventilation”.



Pic. 1

Pic. 2

5.4 The cooker hood consists of the next components (Pic.3):



Pic.3

- 1 - cooker hood body
- 2 - air flue nozzle adopter (from Ø150 to Ø120 mm)
- 3 - electric cord with grounding
- 4 - switch of the cooker hood operation modes (sensor)
- 5 - decorative panel (external glass)
- 6 - decorative panel (internal glass)
- 7 - lightning lamp (LED stripe)

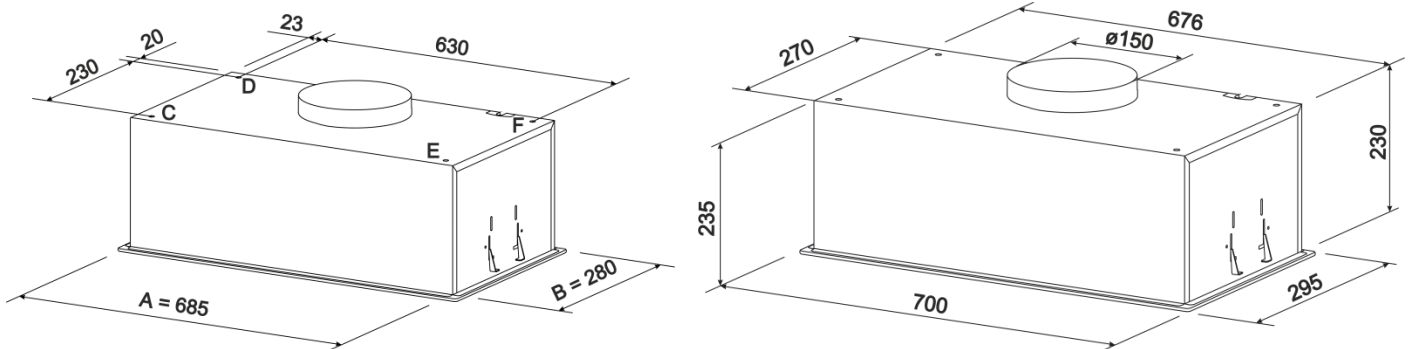
6. EXTRACTOR HOOD INSTALLATION INSTRUCTIONS

6.1. Select the operation mode and place for installation of the extractor hood

6.2. Remove the extractor hood from the packaging.

6.3. Check the work of the extractor hood, connect it to the electric network and check all its functions.

6.4 Taking into account the established height and for the cooker hood to fit to the bottom of the lower shelf of the wall cabinet according to a previously made paper pattern, mark and cut a rectangular hole according to the dimension AxB (Pic. 4) of the built-in part of the hood.



Pic. 4

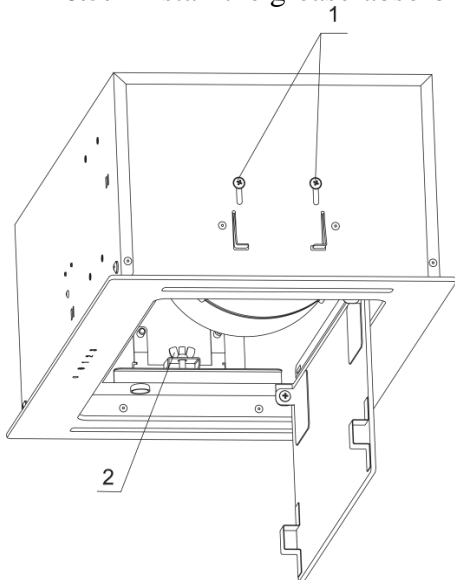
6.5 Cooker hood installation VERSION nr. 1

6.5.1 Using a screwdriver loosens four screws on both sides by 0.5 turn (position 1 of Pic. 5). Thereafter, open the inner glass and pull out the grease-absorbing aluminium filter.

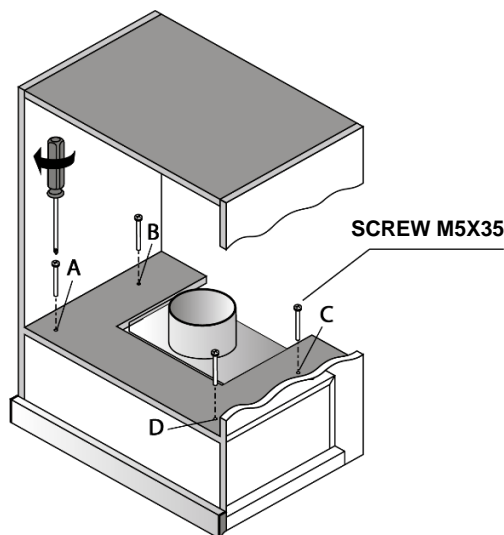
6.5.2 Using your hand unscrew the nut by 5 turns (do not completely unscrew) (position 2 of Pic. 5) on both sides.

6.5.3 Insert the hood into the slotted rectangular hole by gently pressing on the elastic clamps (Pic. 5). Using your hand tighten the nut on both sides (position 2 of Fig. 5) until the hood fits snugly to the bottom of the lower shelf of the wall cabinet.

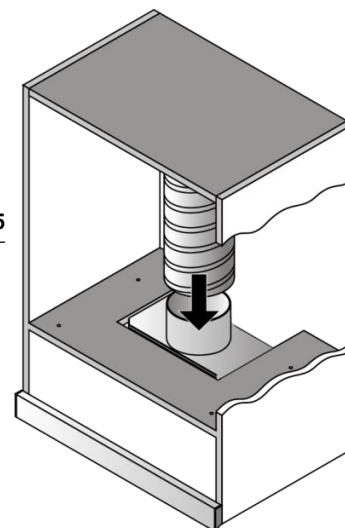
6.5.4 Install the grease-absorbing aluminium filter, close the inner glass.



Pic. 5



Pic. 5.1



Pic. 5.2

6.6 Cooker hood installation VERSION nr. 2

6.6.1 Make a paper pattern with the coordinates of the CDEF holes (Pic. 4), attach the pattern to the shelves of the furniture set (Pic. 5.1).

6.6.2 Mark and drill 4 holes with $\text{Ø}6\text{mm}$ drill

6.6.3 Fastening the hood is carried out with 4 metric screws M5x35, which are screwed inside the wall cabinet into the M5 threaded nuts, riveted to the upper plane of the hood body.

6.7 If necessary, install an air flue nozzle adaptor ($\text{Ø}150 / 120 \text{ mm}$).

6.8 If the hood will work in the mode of exhausting air into the chimney, mount the selected duct with diameter according to the instructions (Pic. 5.2), ensuring its tightness. Please note that the shorter and more direct the duct, the higher the performance and less noise and vibration in the hood.

6.9 If the hood will operate in recirculation mode, then the duct is not needed. A carbon odour-absorbing filter (is purchased separately) must be installed.

6.10 Check that the hood is securely fastened, feed and connect the cord to the mains through the outlet.

6.11. Check the reliability of the mounting of the extractor hood, feed and connect the cord to the socket to the electricity.

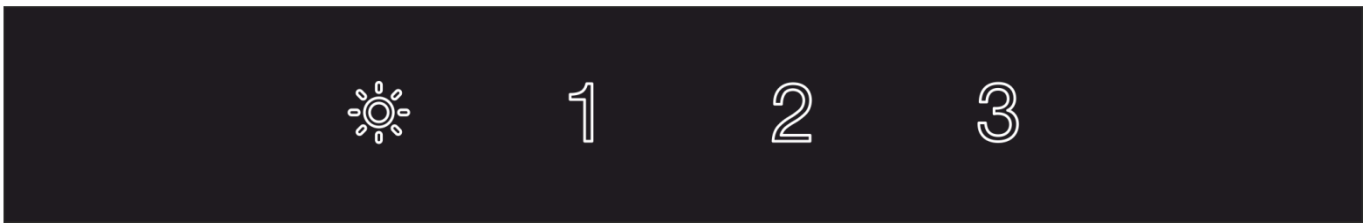
In order to provide additional protection against voltage fluctuations in the network, it is recommended to connect the extractor hood via an additional automatic circuit breaker 6A.

7. EXTRACTOR HOOD OPERATION

7.1 Extractor hoods have 4 ventilation speeds. Depending on the volume of evaporation when cooking, you can select low, middle or high ventilation level.

7.2 Turn on the extractor hood in the needed mode before cooking. It is recommended to continue the work of the extractor hood for 3-5 minutes after cooking, thus the air in the kitchen will be cleared from the residues of evaporation and odors.

7.3 On the decorative glass of your cooker hood there is a touch switch for operating modes of the engine and lighting lamps (Pic. 6):



Pic.6



- light on/off

1 – 1 speed (low speed)

2 – 2 speed (average speed)

3 – 3 speed (high speed)

Switch on a cooker hood:

- press on any of the sensor speed control knobs (1, 2, 3);
- turn on lighting if necessary (button with bulb symbol).

Switch off a cooker hood:

- press the speed control knob (1, 2, 3) on the sensor, depending on the speed at which the cooker hood (1-1, 2-2, 3-3) works.

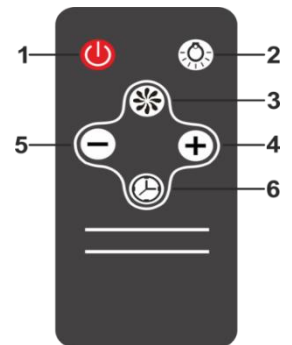
The switching the hood on and off with the touch switch is double-pressing, that is, pressing the speed 1 – the cooker hood is switched on, press speed 1 again – the cooker hood is turned off.

Starting the timer:

To start the timer, press one of the touch buttons (1, 2, 3) and hold it for 5 seconds. The timer will automatically switch off the cooker hood in 5 minutes.

7.4 Control of cooker hood using a remote control (Pic. 7).

- Press the buttons 1, 4 or 5 to switch on the cooker hood. To switch off the hood, press the button 1.
- To increase or decrease the speed, press the button 5 or 4, respectively.
- Press the button 2 to switch the light on or off.
- To activate the timer, press the button 6 when the cooker hood is switched on.
- To switch off the timer, press the buttons 6.



Pic.7

8. MAINTENANCE INSTRUCTIONS

Attention! Before cleaning the extractor hood, disconnect it from the electricity.

8.1 Use a damp cloth soaked in warm water with a neutral detergent for external cleaning of the painted extractor hood.

8.2 **Never use abrasive detergents, coarse sponges or detergents containing soda, acid, chlorides or solvents to clean the extractor hood.**

8.3 When cleaning, avoid getting moisture on the current-carrying parts of the extractor hood, and wipe the surfaces with a soft cloth after washing.

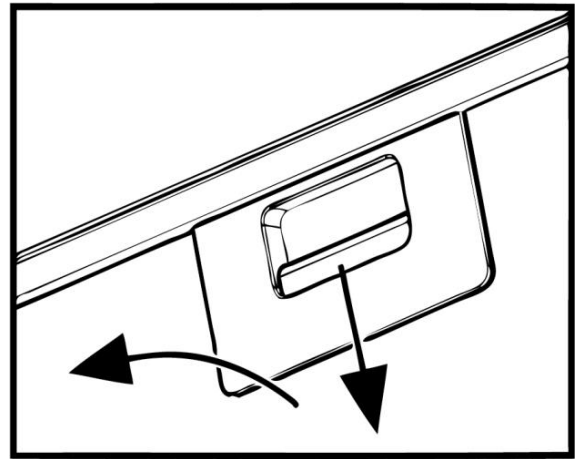
8.4 The aluminum filter, holding oil and dust from the air, is clogged and should be washed after being soaked in hot water with an effective detergent once every 1.5 to 2 months. Changing the color of the filter after washing does not affect the quality of its work.

8.5 To remove the aluminum filter, press the spring latch and remove the filter from the panel. Install the filter in reverse order (**Pic. 8**).

Do not install the filter after washing until it is completely dry.

8.6 The carbon filters, used during recirculation mode should be changed every 3-6 months depending on the extractor hood use. Filters are installed on the T-like **stab of the cover of the turbofan** by **axial pushing and clockwise rotation**.

8.7 LED lamps are installed on the extractor hood for lighting the working area of the cooker. Before starting lighting lamps substitution, disconnect the extractor hood from electricity, and leave the lamps to cool. To replace the lamp, remove the aluminum filters, push the holder of the cartridge so that the lamp came out of the body of the extractor hood and remove it by turning it counterclockwise. Replace it with the new one with the same characteristics and install filters (**Pic. 9**).



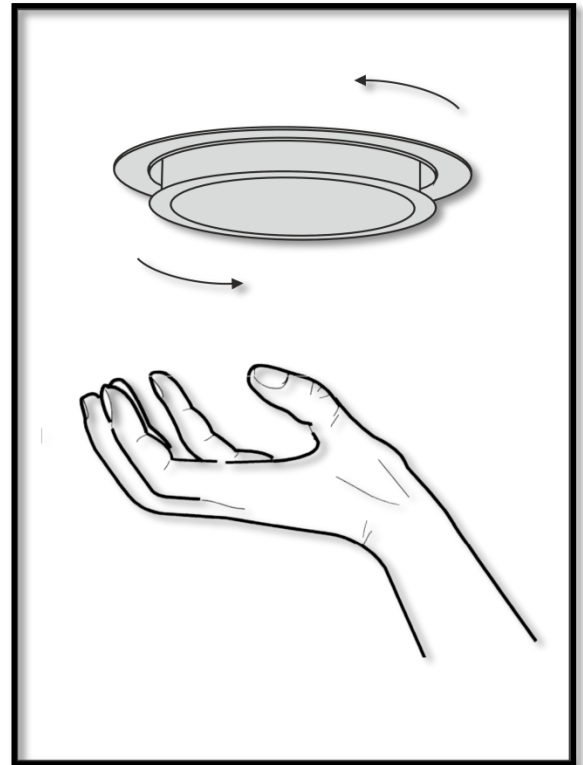
Pic. 8

Picture 6. Aluminum filter removing.

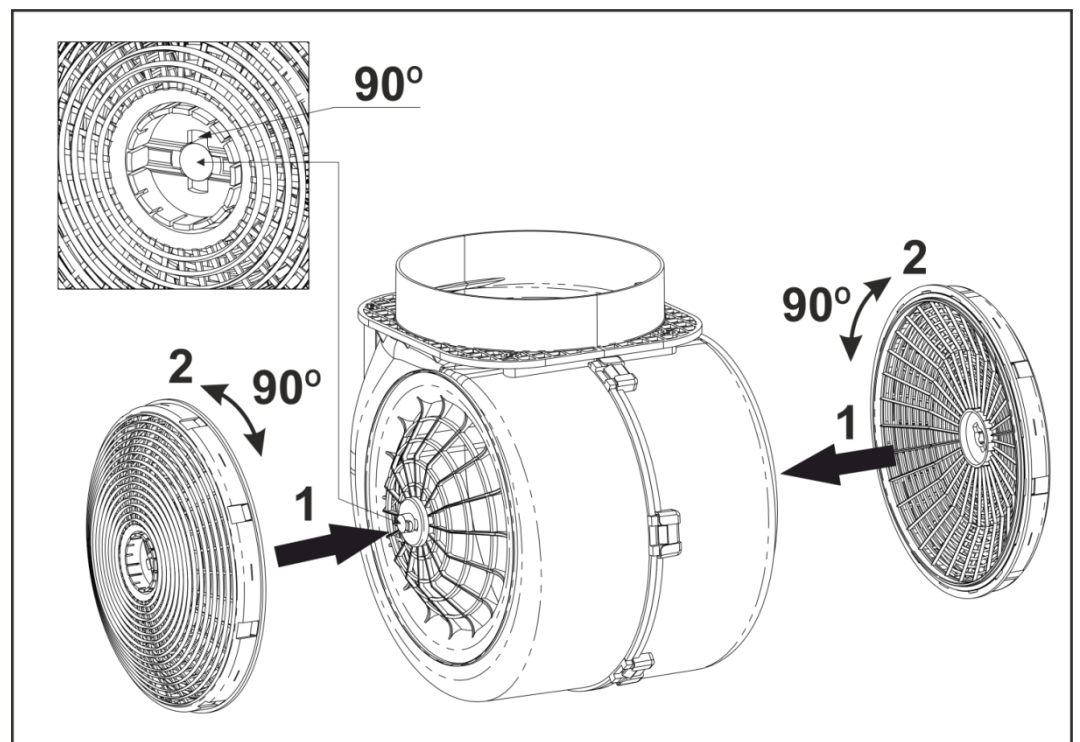
Picture 7. Replacement of the lighting lamp.

To change the carbon filter, you need to follow the next steps (pic.10):

- 1 – Place the carbon filter on the lock until it stops on both sides.
- 2 – Turn the carbon filter in any direction at an angle of 90 degrees, ensuring fixation.

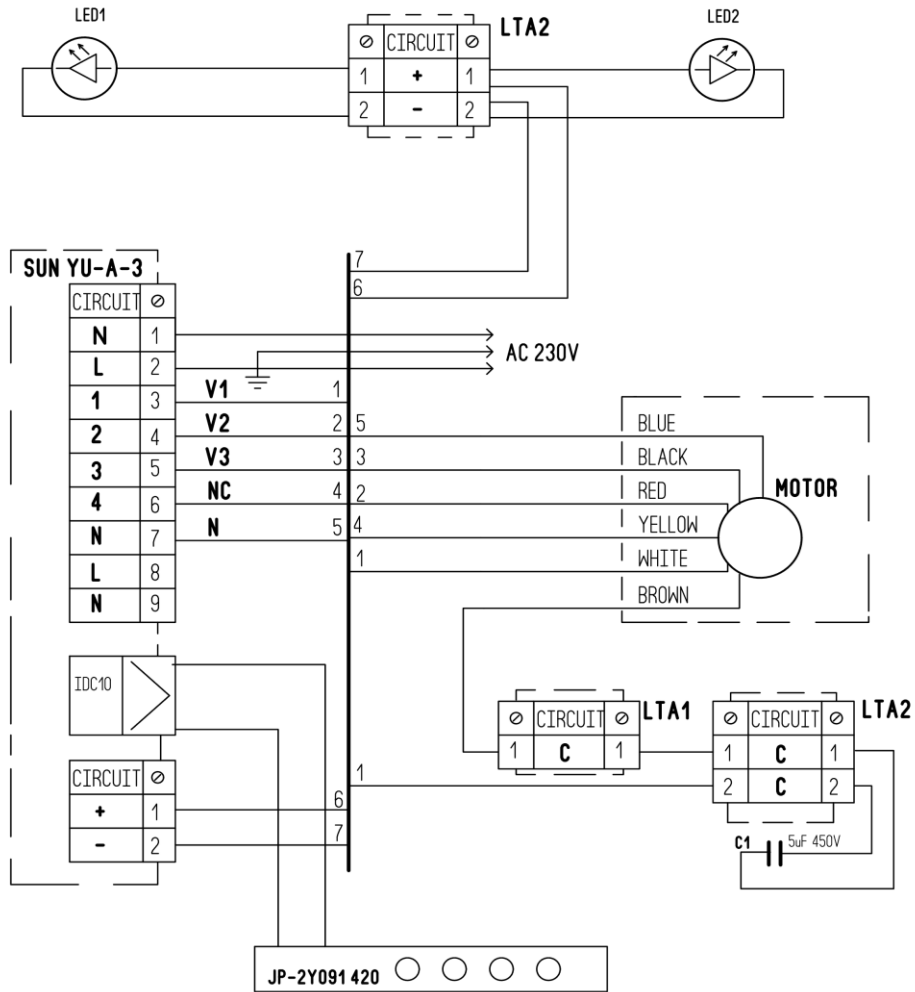


Pic. 9



Pic. 10

ELECTRICAL SCHEMATIC DIAGRAM



Possible malfunctions of the extractor hood

	Check connection to the electricity supply.	Check whether the display is turned on.	Check the lamp switch (should be turned on).	Check aluminum filter (should be cleaned once every 1,5-2 months).	Check the socket (For the power connection).	Check lamps.	Check air outlet pipe (for the traction).	Check carbon filter (replacement once every 3-4 months).
Extractor hood does not work.	●	●			●			
The lamp does not light.	●		●		●	●		
Reduced performance of the extractor hood.				●			●	●
The extractor hood began to work louder.				●			●	
Air is poorly drawn in the recirculation mode.				●				●



Drogi kliencie!

Jesteśmy wdzięczni ci za wybór produktów marki GUZZANTI. Dołożyliśmy wszelkich starań, abyś był zadowolony z naszego produktu.

1. WSKAZÓWKI OGÓLNE

1.1 Przed zainstalowaniem okapu i jego obsługą należy dokładnie zapoznać się z naszymi zaleceniami, których przestrzeganie zapewni niezawodną pracę urządzenia. Nie wyrzucaj tej instrukcji, ponieważ może ona odpowiedzieć na wszelkie powstałe później pytania.

UWAGA! PRZED URUCHOMIENIEM (WŁĄCZENIEM) URZĄDZENIE MUSI BYĆ W TEMPERATURZE POKOJOWEJ PRZEZ CO NAJMNIEJ DWIE GODZINY.

1.2 Okap jest przeznaczony do usuwania zanieczyszczonego powietrza z przestrzeni nad urządzeniem do gotowania, jest używany wyłącznie w gospodarstwie domowym.

UWAGA! UŻYWANIE PRODUKTU DO CELÓW INNYCH NIŻ BYTOWE NIE JEST DOZWOLONE! W PRZYPADKU UŻYWANIA OKAPU DO INNYCH CELÓW ISTNIEJE RYZYKO OBRAŻEŃ I USZKODZENIA WŁASNOŚCI, A PRODUKT NIE BĘDZIE WTEDY OBJĘTY GWARANCJĄ!

1.3 Stosowanie okapu zmniejsza zawartość w powietrzu szkodliwych produktów niepełnego spalania gazu ziemnego, częściowo redukuje nieprzyjemne zapachy powstające podczas gotowania, ogranicza zanieczyszczenie ścian, sufitów i mebli cząsteczkami tłuszczu i sadzy.

1.4 Produkt jest urządzeniem oczyszczającym powietrze typu wywiewanego z wentylatorem średnicowym (turbina), wyposażonym w aluminiowy filtr przeciwtłuszczowy (w zestawie) oraz posiada możliwość uzupełnienia pochłaniającego zapachy filtra węglowego. Wykonany jest z blachy stalowej węglowej z pokryciem dekoracyjno - ochronnym farbami proszkowymi.

1.5 W zależności od schematu montażu nad płytą, okap może pracować w dwóch wersjach:

- w trybie odprowadzania powietrza w kanale wentylacyjnym stacjonarnym (kominie) kuchni za pomocą falistych aluminiowych lub plastikowych przyłączy odprowadzających o średnicy 150mm lub - 120mm (rys. 1);

- w trybie recyrkulacji (zamknięty obieg powietrza w kuchni), gdy okap nie jest podłączony do komina, a powietrze przepływa przez aluminiowy filtr przeciwtłuszczowy (w zestawie) i filtry węglowe pochłaniające zapachy (do kupienia osobno) i nadchodzi z powrotem do kuchni (rys. 2).

1.6 Uwaga! Nie rozpoczynać montażu okapu, dopóki nie podłączysz go do sieci i nie upewnisz się o jego stanie technicznym po sprawdzeniu wszystkich funkcji.

1.7 Zalecamy, aby wszelkie prace związane z instalacją, podłączeniem i naprawą okapu powierzać wyłącznie wykwalifikowanym fachowcom, którzy zawodowo wykonują takie prace.

1.8 Producent nie ponosi odpowiedzialności za jakiegokolwiek uszkodzenia i pęknięcia związane z nieprawidłowym montażem, obsługą i naprawą okapu.

1.9 Producent zastrzega sobie prawo do dokonywania zmian w wyrobie w celu polepszenia jakości i parametrów technicznych.

1.10 Charakterystyki techniczne okapu podane są w niniejszej instrukcji oraz na etykiecie umieszczonej na wewnętrznej powierzchni obudowy (dostęp do niej otwiera się po wyjęciu filtra).

Uwaga! Okap montowany jest na ścianie nad kuchenkami elektrycznymi na wysokości 650-750 mm, a nad kuchenkami gazowymi na wysokości 750-850 mm od powierzchni roboczej płyty (rys. 1).

2. GŁÓWNE CHARAKTERYSTYKI TECHNICZNE

Napięcie , V		220-230
Częstotliwość , HZ		50
Liczba trybów pracy		3
Rodzaj sterowania		czujnik
Zużycie nominalne, Wat	Moc silnika	120
	Lampa oświetleniowa (LED)	2x3
Wydajność podczas podłączania do standardowego systemu wentylacji , m ³ /h		481
Całkowite wymiary okapu, mm	Szerokość	700
	Głębokość	295
	Wysokość	235
Rozmiar podłączenia kanału wentylacyjnego , mm		Ø150 / Ø 120
Waga, kg		8
Poziom hałasu (db)		54-64
Klasa ochrony		I
Tryb pracy		S1 (długotrwały)
PRZEWÓD ELEKTRYCZNY OKAPU WZMOCNIONY Z UZIEMIENIEM		

3. ZESTAW DOSTAWY

POZYCJA	ILOŚĆ
Okap kuchenny wentylacyjny	1 SZT.
Plastikowy adapter króćca (z Ø150 na Ø120 mm)	1 SZT.
Instrukcja obsługi	1 EGZ.

4. WYMAGANIA BEZPIECZEŃSTWA

UWAGA!	NIE WŁĄCZAJ OKAPU DO SIECI PŁYTY ELEKTRYCZNEJ. CHROŃ PRZEWÓD ELEKTRYCZNY PRZED USZKODZENIEM MECHANICZNYM I TERMICZNYM.
---------------	---

4.1 Podczas montażu, obsługi i konserwacji surowo zakazane:

- podłączenie okapu do sieci zasilającej o napięciu i częstotliwości nieodpowiadającej określonym w rozdziale 2;
 - stosowanie lampy oświetleniowe o mocy powyżej **3 W (LED)**;
 - przeprowadzenie konserwacji, wymiana lamp, usuwanie filtrów, czyszczenie okapu bez uprzedniego wyjęcia wtyczki z gniazdka;
 - eksploatacja okapu z otwartym źródłem ognia, otwartymi palnikami gazowymi lub elementami grzejnymi.
- Elementy grzejne należy zawsze przykrywać naczyniami;**

- gotowanie na alkoholu;
- pozostawienie frytownic bez nadzoru;
- praca okapu z wyjętymi filtrami;
- podłączenie okapu do sieci płyty, odcięcie wtyczki podczas instalacji.

UWAGA! ZABRONIONE JEST UŻYWANIE KUCHENKI GAZOWEJ (ELEKTRYCZNEJ) PRZY WYŁĄCZONYM OKAPIE!

4.2 Aby uniknąć porażenia prądem, okap należy podłączyć do uziemionego gniazdka.

4.3 Okap należy podłączyć do oddzielnego szybu wentylacyjnego. Nie wolno podłączać innych urządzeń do tego samego szybu.

4.4 W przypadku korzystania z okapu jednocześnie z innymi urządzeniami grzewczymi (piece gazowe, olejowe, itp.) poza elektrycznym, należy zapewnić w pomieszczeniu, w którym okap jest zainstalowany, dodatkowy dopływ świeżego powietrza (np. Otworzyć okno).

4.5 Podczas montażu okapu na wymaganej wysokości montażowej H nad płytą (rys. 1) w celu odprowadzenia powietrza do komina należy użyć kanału powietrznego o średnicy 150 - 120mm. Mniejsza średnica stworzy dodatkowy opór powietrza, co zwiększy hałas i wibracje, a także przegrzanie silnika.

4.6 Zapewnić terminowe czyszczenie aluminiowych łapaczy tłuszczu wielokrotnego użytku, w przeciwnym razie wydajność okapu zostanie zmniejszona i istnieje ryzyko pożaru z powodu gromadzenia się tłuszczu i kurzu w filtrze.

4.7 W przypadku zapłonu nie wolno włączać okapu, aby zredukować dym, dopóki ogień nie zostanie całkowicie ugaszony.

4.8 W przypadku zapłonu pod okapem, przykryć płomień grubą szmatką, odłączyć okap od sieci, nie używać wody do gaszenia płomienia w pobliżu urządzeń elektrycznych.

4.9 Chronić przewód zasilający przed uszkodzeniami mechanicznymi i termicznymi.

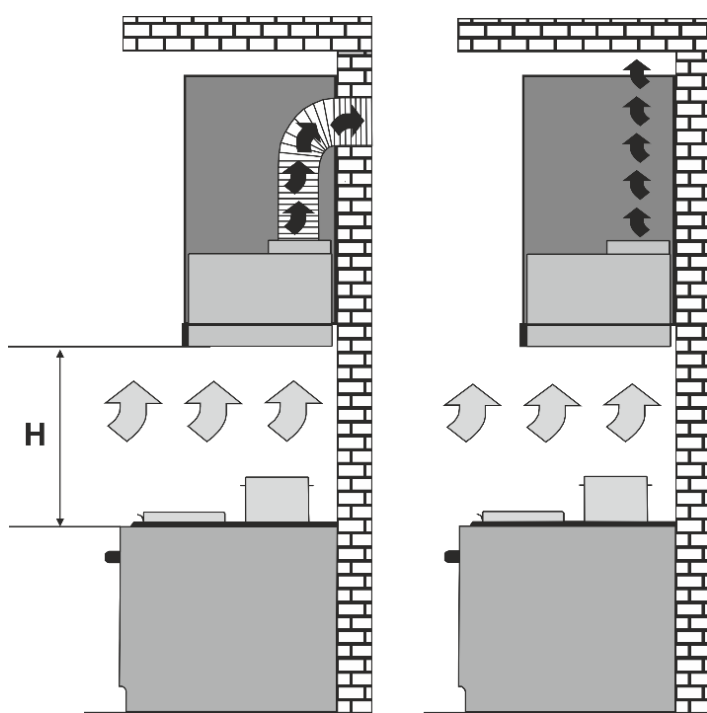
5. OPIS OKAPU

5.1 Okap kuchenny "GZ-443" jest oczyszczaczem powietrza typu wyciągowego z wentylatorem średnicowym (turbina), wyposażonym w pochłaniające tłuszcz filtrem aluminiowym. Wykonany jest z blachy stalowej węglowej z pokryciem dekoracyjno - ochronnym farbami proszkowymi.

5.2 Okap kuchenny zaliczany do typu «wbudowanych» okapów kuchennych i jest wbudowany w meble kuchenne ustawione na ścianie nad kuchenką.

5.3 W zależności od schematu montażu okap działa w dwóch wersjach (**patrz punkt 1.5**):

- w trybie wyciągu powietrza do komina kuchennego (**rys. 1**);
- w trybie recyrkulacji (zamknięty obieg powietrza w kuchni) (**rys. 2**).



Rys.1

Rys.2

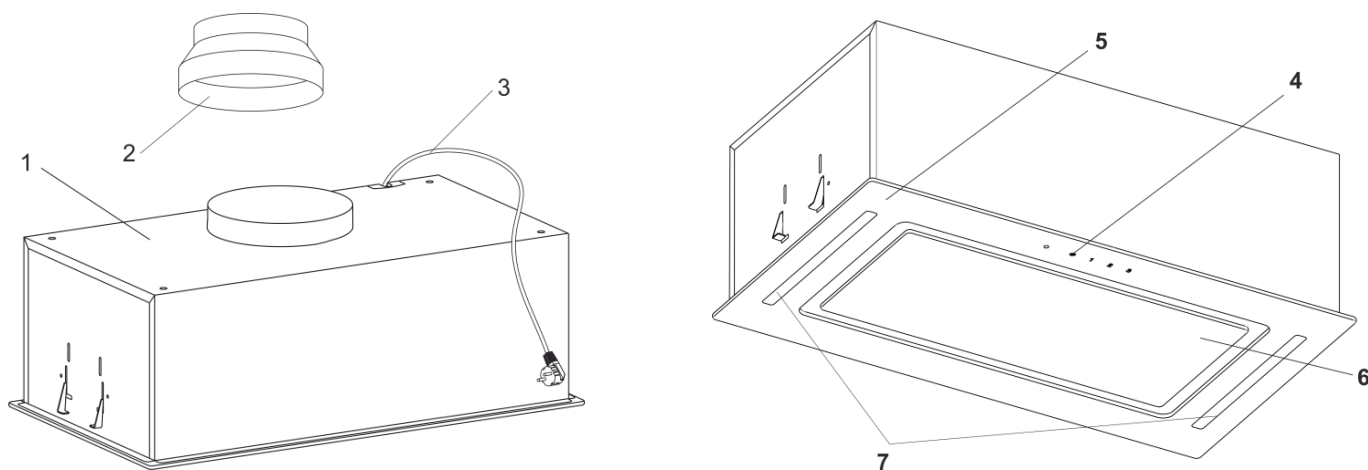
Odległość H:

Do kuchenki elektrycznej 65-75cm

Do kuchenki gazowej 75-85cm

„Należy wziąć pod uwagę, że przy włączaniu okapu w pomieszczeniu ciśnienie automatycznie obniża się i musi zostać wyrównane poprzez dopływ świeżego powietrza. Można to osiągnąć otwierając drzwi, okna lub korzystając ze specjalnych urządzeń wentylacyjnych”.

5.4 Okap składa się z następujących elementów (rys. 3):



Rys.3

- 1 - obudowa
- 2 - adapter króćca (C Ø150 na Ø120)
- 3 - uziemiony przewód zasilający
- 4 - przełącznik trybu pracy okapu (czujnik)
- 5 - panel dekoracyjny (szyba zewnętrzna)
- 6 - panel dekoracyjny (szyba wewnętrzna)
- 7 - oświetlenie (pasek LED)

6. INSTRUKCJA MONTAŻU OKAPU

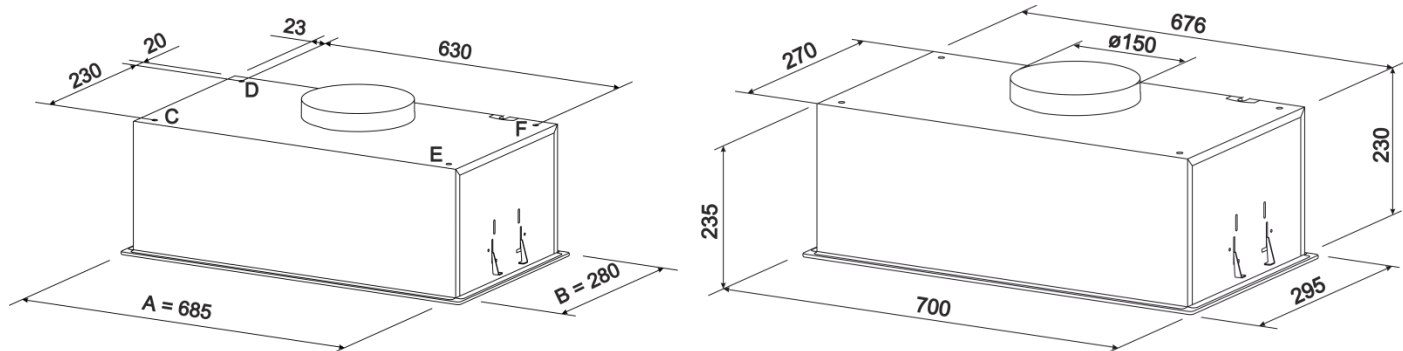
6.1 Wybierz tryb pracy (rys.1 / rys.2) i miejsce montażu okapu.

6.2 Wyjmij okap z opakowania.

6.3 Podłącz okap do sieci i sprawdź wszystkie jego funkcje.

Przypominamy, że wysokość montażu okapu nad kuchenkami elektrycznymi musi wynosić min. 650 mm, a nad gazowymi nie mniej niż 750 mm (rys. 1).

6.4 Biorąc pod uwagę ustaloną wysokość i stan dopasowania okapu do dolnej części dolnej półki szafki ściennej zgodnie z wcześniej wykonanym szablonem papierowym, zaznacz i wytnij prostokątny otwór zgodnie z wymiarem Ax B (rys.4) części wbudowanej okapu.



Rys. 4

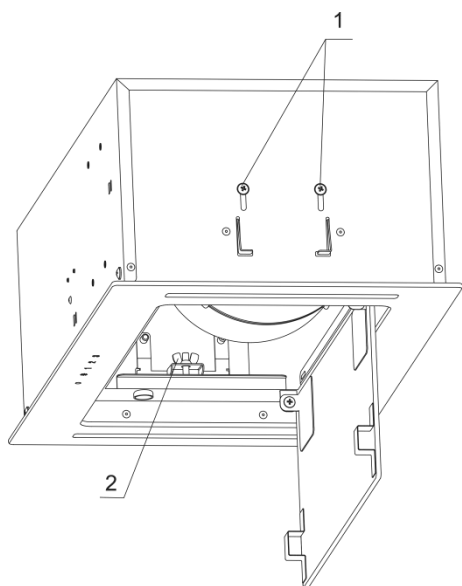
6.5 Montaż okapu WARIANT nr1

6.5.1 Za pomocą śrubokręta poluzuj cztery śruby po obu stronach o 0,5 obrotu (pozycja 1 rys.5). Po tym otwórz szkło wewnętrzne i wyciągnij aluminiowy filtr przeciw tłuszczowy.

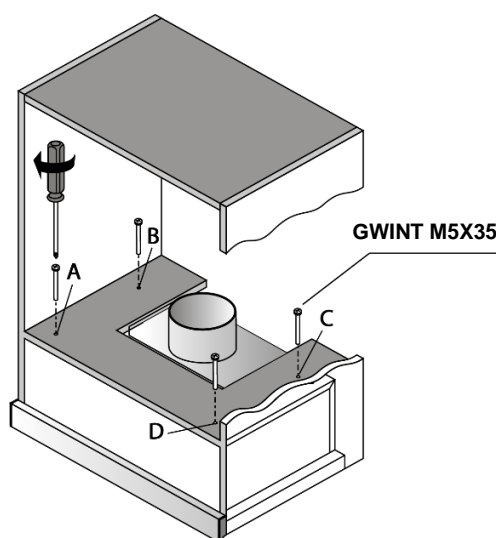
6.5.2 Ręką po obu stronach odkręć na 5 obrotów (nie odkręcaj całkowicie) nakrętkę motylkową (pozycja 2 rys.5).

6.5.3 Włóż okap do szczelinowego prostokątnego otworu, delikatnie naciskając elastyczne zaciski (rys.5). Ręcznie dokręć nakrętkę motylkową po obu stronach (pozycja 2 rys.5) do całkowitego przylegania okapu do dna dolnej zawieszanej półki szafy meblowej.

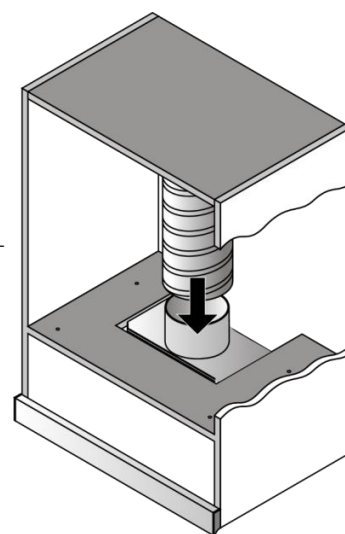
6.5.4 Ustaw aluminiowy filtr przeciw tłuszczowy, zamknij szkło wewnętrzne.



Rys. 5



Rys. 5.1



Rys. 5.2

6.6 Montaż okapu WARIANT nr2

6.6.1 Zrób szablon papierowy ze współrzędnymi otworów CDEF (rys. 4), przymocuj szablon do półek zestawu mebli (rys. 5.1).

6.6.2 Zaznacz i wywierć 4 otwory wiertłem $\text{Ø}6\text{mm}$.

6.6.3 Mocowanie okapu przeprowadza się za pomocą 4 śrub metrycznych M5x35, wkręcone w gwintowane nakrętki od wewnętrznej strony szafki ściennej M5, nitowane do górnej płaszczyzny obudowy okapu.

6.7 Za potrzeby ustaw na króćcu okapu adapter kanału powietrznego ($\text{Ø}150 / 120 \text{ mm}$).

6.8 Jeśli okap kuchenny będzie działać w trybie wywiewu powietrza do komina, zamontować kanał o wybranej średnicy zgodnie z instrukcją (rys. 5.2), zapewniając jego szczelność. Należy pamiętać, że im krótszy i bardziej prosty kanał, tym wyższa wydajność oraz mniej hałasu i wibracji w okapie.

6.9 Jeśli okap kuchenny będzie działać w trybie recyrkulacji, wówczas kanał powietrzny nie jest potrzebny. Konieczne jest zainstalowanie filtra węglowego pochłaniającego zapach (kupuje się odrębnie).

6.10 Sprawdź, czy okap jest bezpiecznie przymocowany, podprowadź i podłącz przewód zasilający przez gniazdko elektryczne.

Aby zapewnić dodatkową ochronę przed spadkami napięcia w sieci, zalecamy podłączenie okapu przez dodatkowy automatyczny przelącznik 6A.

7. INSTRUKCJA OBSŁUGI I PIELEGNACJI OKAPU

7.1 Okap ma 4 prędkości wentylacji. W zależności od ilości parowania podczas gotowania można wybrać wentylację niską, średnią lub wysoką.

7.2 Przed gotowaniem należy włączyć okap w żądanym trybie pracy. Zaleca się kontynuowanie pracy okapu przez 3-5 minut po gotowaniu, aby powietrze w kuchni zostało oczyszczone z parowania i zapachów.

7.3 Na zewnętrznej szybie Twojego okapu znajduje się przełącznik czujnikowy trybów pracy silnika i lamp oświetlenia (rys.6):



Rys.6

 – włączanie / wyłączanie oświetlenia

1 – 1 Geschwindigkeit (niedrige Geschwindigkeit)

2 – 2 Geschwindigkeit (mittlere Geschwindigkeit)

3 – 3 Geschwindigkeit (hohe Geschwindigkeiten)

Przełącznik czujnikowy z symbolem żarówki, przeznaczonym do włączania lampy w przypadku niedostatecznego oświetlenia obszaru roboczego kuchenki, znajduje się po stronie lewej na obudowie okapu.

Włączenie okapu:

- kliknij na jakikolwiek z przycisków dotykowych regulowania prędkości (1, 2, 3);
- w razie potrzeby włącz oświetlenie (przycisk z symbolem żarówki).

Wyłączenie okapu:

- kliknij na przełącznik czujnikowy regulowania prędkości (1, 2, 3) w zależności od tego, na jakiej prędkości pracuje okap kuchenny (1-1, 2-2, 3-3).

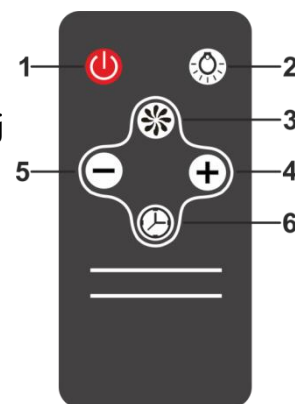
Włączenie i wyłączenie okapu poprzez przełącznik czujnikowy przeprowadza się poprzez podwójne kliknięcie, to znaczy: kliknąć cna 1 prędkość - okap kuchenny włączy się, ponownie kliknąć 1 prędkość - okap kuchenny wyłączył się.

Uruchomienie timera:

- aby uruchomić timer kliknij na jeden z przycisków dotukowych (1, 2, 3) i przytrzymuj w ciągu 5 sekund. Timer automatycznie wyłączy światła i turbowentylator po 5 minutach.

7.4 Sterowanie okapem za pomocą pilota (rys. 7).

- Dla włączenia okapu kliknij przycisk 1, 4 czy 5. Dla wyłączenia okapu kliknij przycisk 1.
- Aby zwiększyć lub zmniejszyć prędkość pracy kliknij przycisk 5 czy odpowiednio 4.
- Dla włączenia czy wyłączenia światła kliknij przycisk 2.
- Dla aktywacji timera kliknij przycisk 6 przy włączonym okapie.
- Dla wyłączenia timera kliknij przycisk 6.



Rys.7

8. INSTRUKCJE DOTYCZĄCE PIELĘGNACJI OKAPU

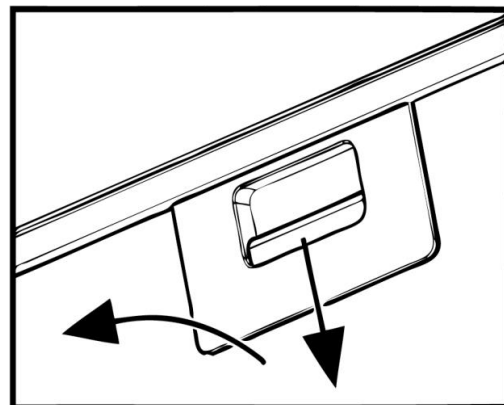
8.1 Uwaga! Przed czyszczeniem odłącz okap od sieci zasilającej.

8.2 Do zewnętrznego czyszczenia pomalowanego okapu używać wilgotnej szmatki zwilżonej ciepłą wodą z neutralnym deterгентem, a do okapu ze stali nierdzewnej specjalnymi środkami, zgodnie z odpowiednimi instrukcjami.

8.3 Do czyszczenia okapu nie wolno używać agresywnych detergentów, szorstkich gąbek ani środków czyszczących zawierających sodę, kwas, chlorki lub rozpuszczalniki.

8.4 Podczas mycia należy unikać zawilgocenia przewodzących części okapu, a po umyciu przetrzeć powierzchnie miękką szmatką.

8.5 Filtr aluminiowy zatrzymujący olej i kurz z powietrza zapycha się i należy go myć po namoczeniu w gorącej wodzie ze skutecznym detergentem 1 raz co 1,5 - 2 miesiące.



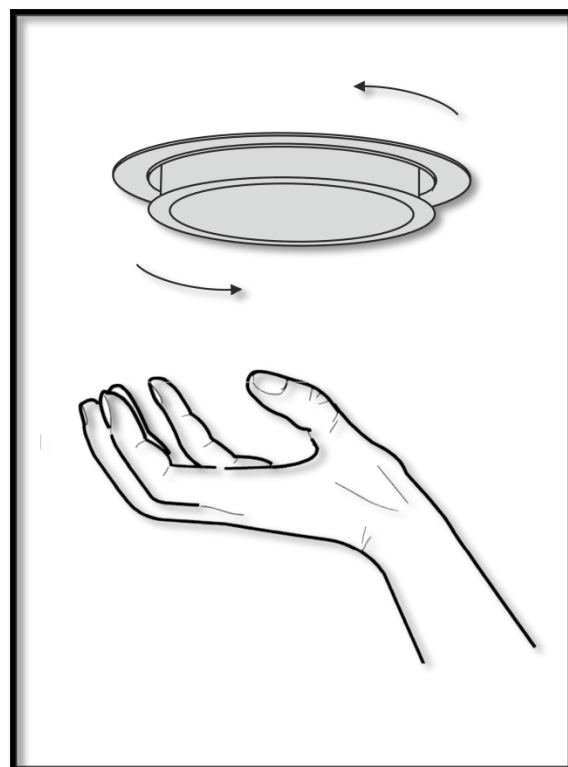
Rys.8

8.6 Aby wyjąć filtr aluminiowy (rys. 8), naciśnij zatrask sprężynowy i pociągając go ku sobie i w dół, wyjmij filtr z panelu. Zainstaluj filtr w odwrotnej kolejności.

Nie instaluj filtra po umyciu, zaczekaj aż całkowicie wyschnie.

8.7 Na okapi zamontowano **lampy LED** do oświetlenia strefy roboczej płyty. Przed wymianą żarówek należy odłączyć okap od sieci, pozwolić lampom ostygnąć. Zdejmij lampę z okapu, pociągając ją na siebie i odłącz przewód od akumulatora (rys.9).

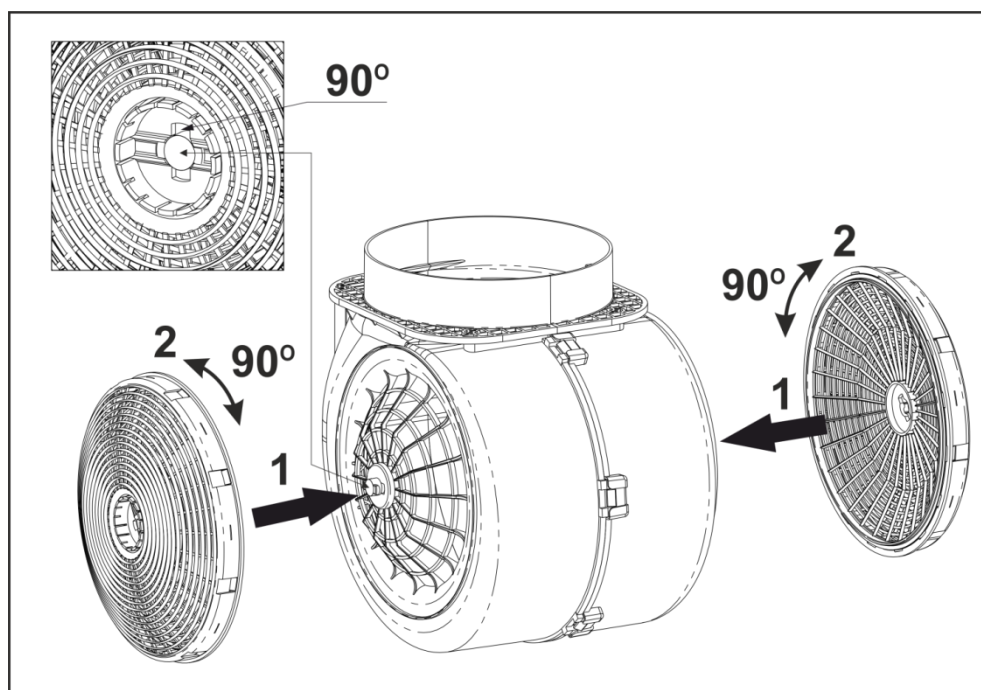
8.8 Filtry węglowe (do kupienia osobno) używane w trybie recyrkulacji należy wymieniać co 3 do 6 miesięcy, w zależności od pracy okapu. Filtry są montowane na trzpieniu T-podobnym pokrywy turbowentylatora poprzez ciśnienie osiowe i obrót zgodnie z ruchem wskazówek zegara.



Rys.9

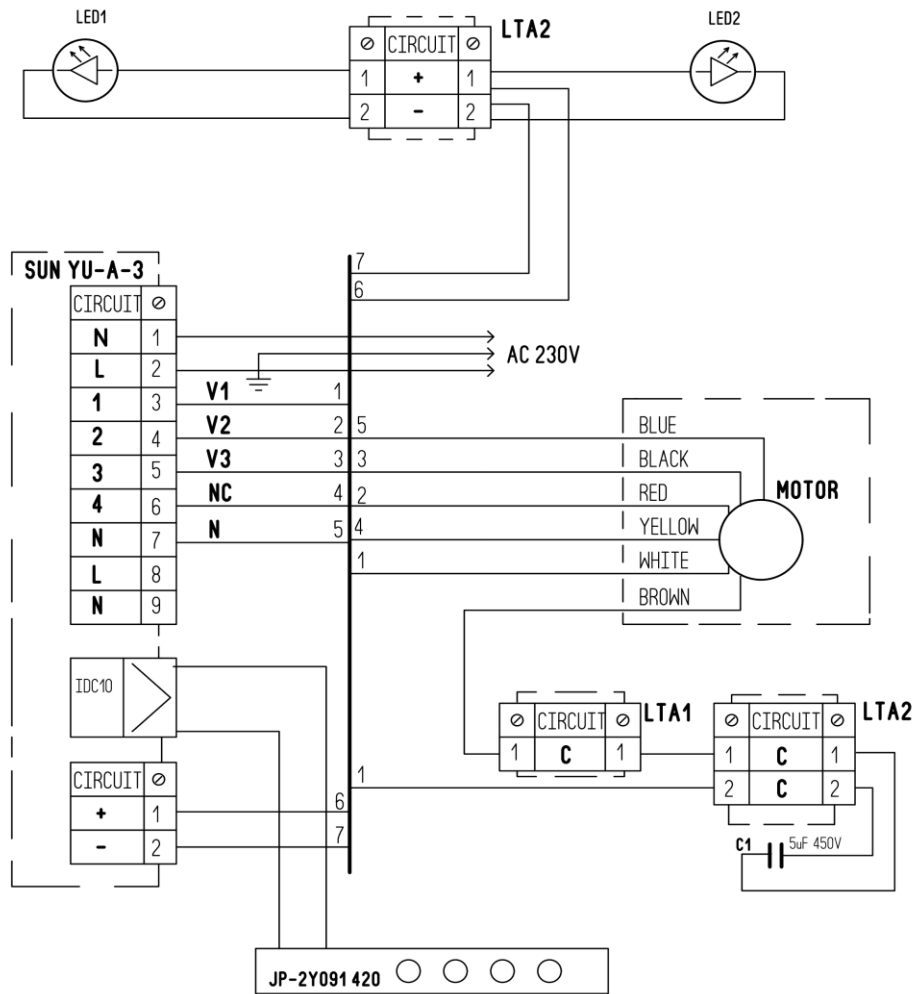
Aby wymienić filtr węglowy, należy wykonać następujące czynności (rys.10):

- Wyjmij filtr aluminiowy.
- Umieść filtr węglowy na uchwycie do oporu po obu stronach (1).
- Obróć filtr węglowy w dowolnym kierunku o 90 stopni, mocując go (2).
- Zainstaluj filtr aluminiowy.



Rys.10

SCHEMAT ELEKTRYCZNY PODSTAWOWY



MOŻLIWE AWARIE OKAPU

	Sprawdź połączenia elektryczne	Sprawdź, czy silnik jest włączony	Sprawdź włącznik lampy (musi być włączony)	Sprawdź filtr aluminiowy (myj raz na 1,5 - 2 miesiące)	Sprawdź gniazdko (czy jest w nim napięcie)	Sprawdź lampy	Sprawdź rurę wylotową powietrza	Sprawdź filtr węglowy (wymiana 1 raz na 3-4 miesiące)
Okap nie działa	●	●			●			
Lampka nie świeci	●		●		●	●		
Zmniejszona produktywność pracy okapu				●			●	●
Okap pracuje głośniej				●			●	
W trybie recyrkulacji wypuszcza się mało powietrza				●				●

Vážený kupující, děkujeme Vám, že jste si zvolili výrobek značky GUZZANTI. Učinili jsme veškeré úsilí aby byli jste spokojeni s naším výrobkem.

1. ZÁKLADNÍ INFORMACE

1.1 Před instalací a provozem digestoře je třeba pečlivě přečíst všechny naše doporučení, jejichž dodržování zajistí spolehlivý provoz výrobku. Mějte návod k obsluze vždy vedle výrobku, na dosah ruky, abyste mohli rychle získat odpovědi na všechny případné otázky.

POZOR! Je nevyhnutelné aby na výrobek působila pokojová teplota po dobu nejméně dvou hodin před jeho zapnutím a zahájením provozu.

1.2 Digestoř slouží k odsávání dýmu a par při vaření z prostoru nad sporákem. Digestoř se používá výhradně v domácnosti.

POZOR! Použití digestoře pro jiné než domácí účely není přípustné! Při použití digestoře pro jiné než domácí účely existuje riziko úrazu či poškození majetku, a spotřebitel ztrácí záruku!

1.3 Digestoř snižuje obsah ve vzduchu škodlivých látek nedokonalého spalování zemního plynu, částečně redukuje zápachy během vaření a zmenšuje znečištění stěn, stropu a nábytku mastnotami a sazemi.

1.4 Výrobek slouží pro odsávání a čištění vzduchu pomocí diametrálního ventilátoru (turbíny) a je vybavený hliníkovým filtrem, zachycujícím tuky, a má možnost instalace dodatečného uhlíkového filtru, zachycujícího zápachy. Výrobek je vyrobený s plechu z uhlíkové oceli a má dekorativní ochranný nátěr práškovými barvami.

1.5 V závislosti na způsobu instalaci nad sporákem, digestoř může fungovat ve dvou verzích:

- **odsávání vzduchu s jeho vývodem s kuchyni navenek přes stávající komínový či ventilační systém s použitím vlnitých hliníkových nebo plastových potrubí s průměrem 150mm nebo 120mm (obr.1);**

- **vnitřní recirkulace vzduchu v kuchyni**, když digestoř se nepřipojuje do stávajícího komínového či ventilačního systému, a odsátý vzduch po recykláži přes zachycující tuky hliníkový filtr (**standardní vybavení**) a zachycující zápachy uhlíkový filtr (**dodatečná opce**) se vrátí zpět do kuchyni (**obr.2**).

1.6 Upozornění! Digestoř je třeba dočasně připojit k elektrické síti před montáží aby zkontrolovat funkčnost a provozuschopnost její ovládacích prvků.

1.7 Doporučujeme Vám, aby veškeré instalační, seřizovací a opravné práce na Vašim digestoře byly provedeny pouze školenými odborníky.

1.8 Výrobce neodpovídá za případné poškození digestoře, které mohou vzniknout kvůli nesprávné instalaci, či nevhodného provozu anebo opravy.

1.9 Výrobce si vyhrazuje právo upravit výrobek podle svého usouzení za účelem zdokonalování jeho kvality a technických parametrů.

1.10 Technické údaje digestoře jsou uvedené v tomto návodu k obsluze a na štítku, připevněném k vnitřnímu povrchu těla digestoře, který je přístupný po odstranění filtru.

1.11 Upozornění! Digestoř se instaluje na zeď nad varnou deskou elektrického sporáku ve výšce 650 až 750mm, a nad varnou deskou plynového sporáku digestoř se instaluje na zeď ve výšce 750 až 850mm (obr.1).

2. HLAVNÍ TECHNICKÉ ÚDAJE

Provozní napětí, V	220-230	
Kmitočet, Hz	50	
Počet stupňů výkonu	3	
Ovládání	senzor	
Jmenovitý výkon, W	Elektromotor	120
	LED osvětlení	2x3
Výkon odsávání při připojení k standardnímu ventilačnímu systému, m3/hod.	481	
Celkové rozměry, mm	Šířka	700
	Hloubka	295
	Výška	235
Připojovací velikost (průměr horního vývodu větracích vzduchových kanálů), mm	Ø150 / Ø120	
Hmotnost, kg	8	
Hlučnost, dB	54-64	
Třída ochrany	1	
Provozní režim	S1 (dlouhotrvající)	
Zesílený síťový elektrický kabel s uzemněním		

3. OBSAH BALENÍ

Obsah balení zahrnuje:	Digestoř ventilační kuchyňská	1 kus
	Plastový trubní adaptér (Ø150 / Ø120mm)	1 kus
	Návod k obsluze	1 kus

4. BEZPEČNOSTNÍ POKYNY

POZOR!	Se striktně zakazuje připojovat digestoř k přívodu elektrického proudu elektrického sporáku. Chraňte napájecí kabel digestoře před jeho mechanickým a tepelným poškozením.
---------------	---

4.1 Během montáže, provozu a údržby digestoře se striktně zakazuje:

- Připojovat digestoř k síti s napětím a kmitočtem, neodpovídajícím hodnotám, uvedeným v článku 2;
- Používat LED svítidla s výkonem vyšším než **3 W**;
- Provádět údržbu, výměnu LED svítidel, odstranění filtrů a čištění digestoře bez předchozího vytahování její zástrčky ze zásuvky;
 - Provozovat digestoř současně s otevřeným plamenem pod ní hořícím, a to provozovat hořáky na plynovém sporáku anebo topné tělesy na elektrickém sporáku bez nádoby na nich. **Plynové hořáky a elektrické topná tělesa během jejich provozování musí být vždy pod nádobou;**
 - Vařit pokrmy, vyžadující přidání k nim alkoholických nápojů;
 - Nechat fritézu bez dozoru;
 - Provozovat digestoř bez filtru;
 - Připojovat digestoř k přívodu elektrického proudu elektrického sporáku, odřezovat zástrčku na její elektrickém kabelu, apod.

Upozornění! Používat plynový nebo elektrický sporák když digestoř je vypnutá se striktně zakazuje!

4.2 Aby nedošlo k úrazu elektrickým proudem, digestoř musí být zapojená do uzemněné zásuvky.

4.3 Digestoř musí být připojena k oddělenému ventilačnímu kanálu a k němu se nesmí připojovat jakékoliv další zařízení.

4.4 Při použití digestoře současně s jinými topnými zařízeními jako jsou plynové a naftové pece (s výjimkou elektrických ohřívačů), je nutno zajistit do místnosti, ve které je instalována digestoř, dodatečný přívod čerstvého vzduchu (například, otevřít větrací okénko, apod.).

4.5 Při montáži digestoře ve výšce **H** (**obr.1**) nad varnou deskou (v závislosti od typu sporáku) pro účely spolehlivého odsávání vzduchu v komínový průduch či ventilační kanál se doporučuje používat výhradně vývod o průměru **150 až 120mm**. Menší průměr vytvoří dodatečný odpor vzduchu, čímž se zvýší hluk a vibrace, a dokonce i přehřívání motoru.

4.6 Je nutno zajistit včasné čištění mnohorázových hliníkových filtrů na odstranění tuku, jinak se efektivita digestoře sníží a vznikne nebezpečí požáru kvůli akumulaci na filtru mastnoty a prachu.

4.7 V případě vznícení plamene pod digestoři nikdy nezapínejte digestoř aby odsávat kouř, dokud oheň nebude úplně lokalizován.

4.8 V případě vznícení plamene pod digestoři ihned zakryjte plamen vzduchotěsným hadříkem, a pak odpojte digestoř od elektrické sítě. Nepoužívejte vodu k hašení ohně v případě jejího možného styku s elektrickým zařízením či proudovodnými částmi.

4.9 Chraňte napájecí kabel digestoře před jeho mechanickým či tepelným poškozením.

5. FUNKČNÍ POPIS

5.1 Digestoř ventilační kuchyňská **GZ-443** je určena pro odsávání a čištění vzduchu pomocí diametrálního ventilátoru (turbíny) a je vybavená hliníkovým filtrem proti mastnotám. Digestoř se vyrábí v provedení s jedním motorem a s plechu z uhlíkové oceli, opatřené dekorativním ochranným nátěrem práškovými barvami.

5.2 Digestoř patří k typu «vestavených» digestořů a je určený k zabudování do kuchyňského nábytku na stěně nad sporákem.

5.3 V závislosti na způsobu instalace, digestoř může se provozovat ve dvou verzích (**viz odstavec 1.5**):

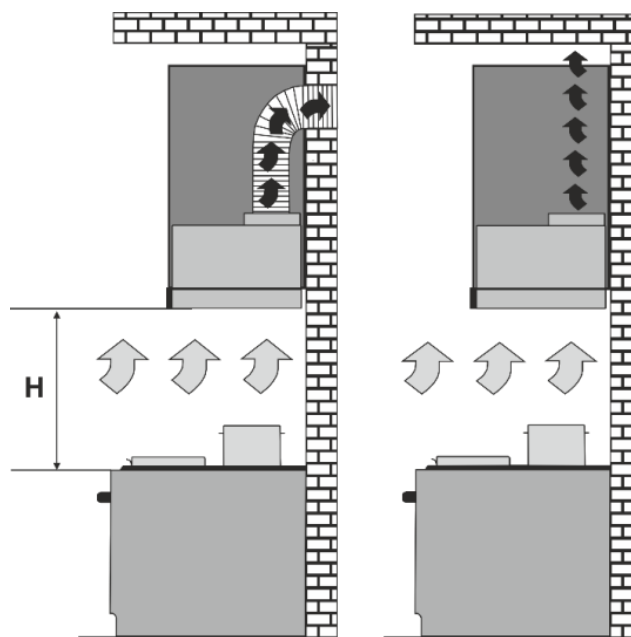
• odsávání vzduchu s jeho vývodem s kuchyni navenek přes stávající komínový či ventilační systém (**obr.1**);

• vnitřní recirkulace vzduchu v kuchyni (**obr.2**).

Vzdálenost H:

Pro elektrický sporák 65-75 cm

Pro plynový sporák 75-85 cm

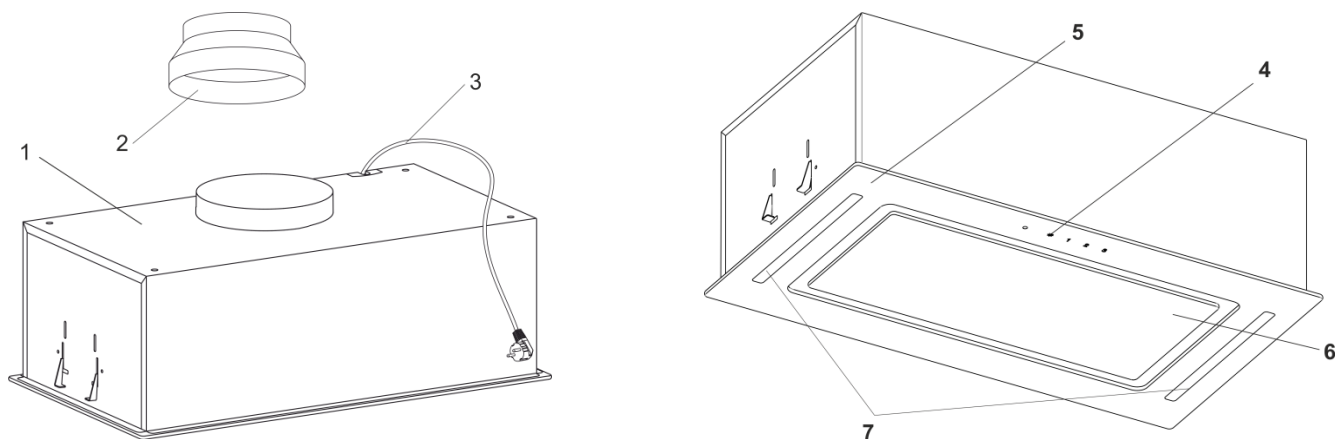


Obr.1

Obr.2

Poznámka: Když digestoř je dlouhodobě v provozu, se může snížit v uzavřené místnosti tlak, který se musí vyrovnat přítokem čerstvého vzduchu. Toho lze dosáhnout otevřením dveří, oken nebo uplatněním ventilačního zařízení.

5.4 Základní provedení (obr.3):



Obr.3

- 1 – Tělo digestoře
- 2 – Adaptér vzduchového potrubí (Ø150 / Ø120)
- 3 – Elektrický přívodní kabel s uzemněním
- 4 – Přepínač provozního režimu
- 5 – dekorativní panel (vnější sklo)
- 6 – dekorativní panel (vnitřní sklo)
- 7 – LED svítidla

6. INSTALACE

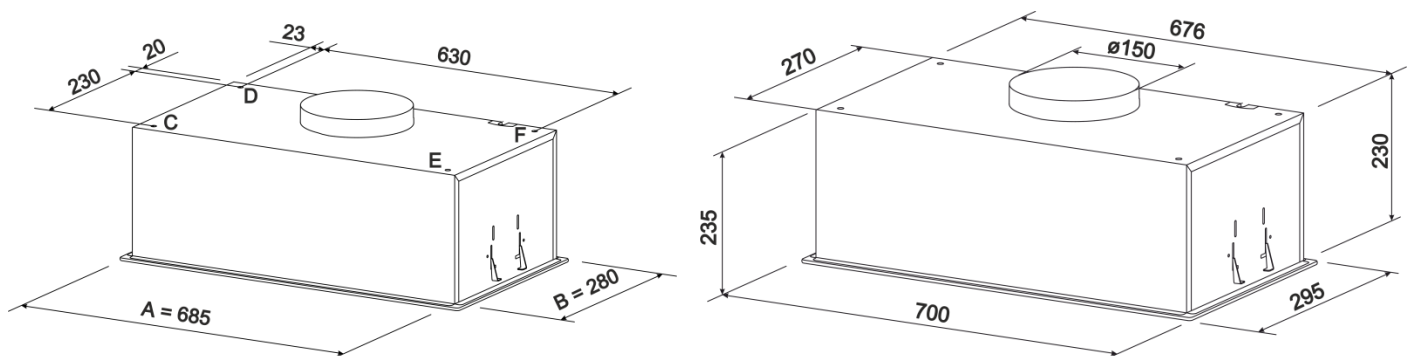
6.1 Vyberte provozní režim (obr.1 / obr.2) a místo v kuchyni na němž se digestoř bude instalovat.

6.2 Rozbalte digestoř.

6.3 Připojte digestoř k elektrické síti a zkontrolujte provozuschopnost její funkčních prvků.

Poznámka: Montážní výška digestoře nad varnou deskou elektrického sporáku by měla být alespoň 650mm, a nad varnou deskou plynového sporáku by měla být alespoň 750mm (obr.1).

6.4 S přihlédnutím k výšce a způsobu situování digestoře podél spodní části kuchyňského nábytku na stěně nad sporákem a s použitím předem připravené papírové šablony, označit a vyříznout v této spodní části obdélníkový otvor striktně podle velikosti AxB (obr.4) zabudované části digestoře.



Obr.4

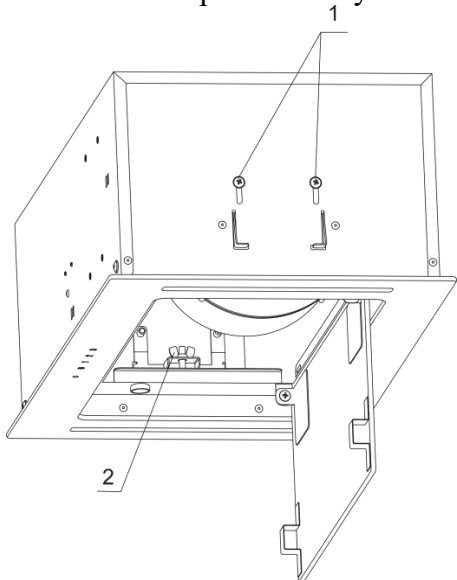
6.5 Instalace digestoře MOŽNOST č. 1

6.5.1 Pomocí šroubováku, uvolnit na obou stranách o 0,5 otáčky 4 šrouby (pozice 1 obr.5). potom otevřít vnitřní sklo a vytáhnout hliníkový filtr na zachycení tuků a mastnot.

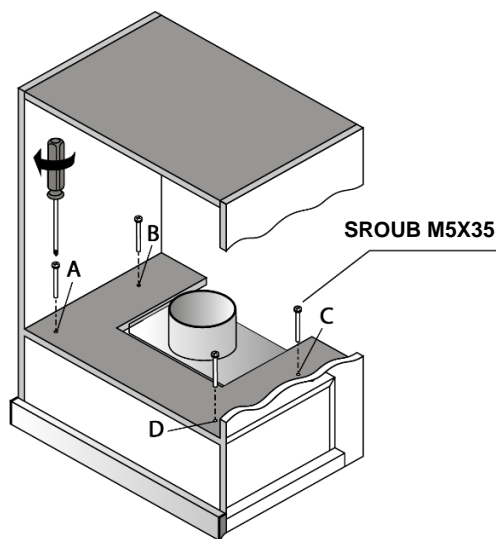
6.5.2 Ručně, na obou stranách, vyšroubovat na 5 otáček (úplně nevyšroubovat) křídlovou matici (pozice 2 obr.5).

6.5.3 Vložit digestoř ve vyříznutý obdélníkový otvor za lehkého stlačení pružných svorek (obr.5). Ručně, na obou stranách, zašroubovat křídlovou matici (pozice 2 obr.5) až do úplného styku digestoře a spodní části nábytku nad sporákem.

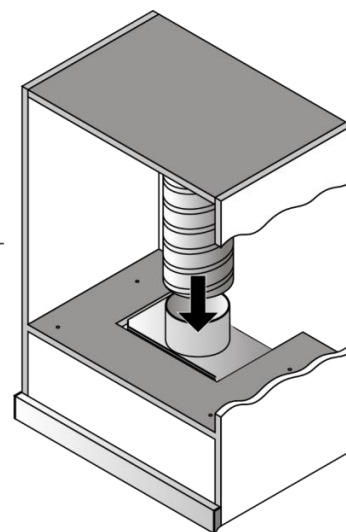
6.5.4 Vložit zpět hliníkový filtr na zachycení tuků a mastnot, a zavřít vnitřní sklo.



Obr. 5



Obr. 5.1



Obr. 5.2

6.6 Instalace digestoře MOŽNOST č. 2

6.6.1 Udělat si papírovou šablonu se souřadnicemi otvorů CDEF (obr.4) a přiložit tuto šablonu ke spodní části nábytku nad sporákem (obr. 5.1).

6.6.2 Označit a vyvrtat 4 otvory o průměru 6 mm.

6.6.3 Digestoř se upevní pomocí 4 metrických šroubů M5x35, přišroubovaných zevnitř nábytku v závitové matice M5, nýtované do horní roviny těla digestoře.

6.7 V případě nutnosti nasadit na vzdušní vývod digestoře příslušný adaptér o průměru 150 či 120 mm.

6.8 Bude-li digestoř se provozovat ve verzi odsávání vzduchu v komínový průduch, je zapotřebí nainstalovat podle pokynů vzduchové potrubí příslušného průměru (obr. 5.2) a zajistit jeho těsnost. Pamatujte, že čím kratší a rovnější je vzduchové potrubí od digestoře, tím vyšší je výkon a menší její provozní hluk a vibrace.

6.9 Bude-li digestoř se provozovat ve verzi recirkulace, tehdy vzduchové potrubí není nutné a je nutnost nainstalovat uhlíkový filtr pohlcující zápach (prodávány samostatně).

6.10 Zkontrolovat těsnost prvků digestoře. Zapojit digestoř do elektrické sítě pomocí příslušné zásuvky.

7. POUŽITÍ


7.1 Digestoř je vybavená 4 větracími rychlostmi. V závislosti na množství páry při vaření si můžete zvolit nízkou, střední nebo vysokou úroveň ventilace.

7.2 Před vařením zapněte digestoř v požadovaném provozním režimu a po skončení vaření doporučujeme Vám nechat digestoř v provozu na dalších 3 až 5 minut, aby se vzduch v kuchyni očistil od zbytků odpařování a pachů.

7.3 Na dolním panelu těla digestoře je umístěn přepínač provozního režimu a zapnutí LED osvětlení (obr.6).



Obr.6

 - zapnutí / vypnutí osvětlení

- 1 - 1 rychlost (nízká rychlost)
- 2 - 2 rychlosti (průměrná rychlost)
- 3 - 3 rychlosti (vysoká rychlost)

Zapnutí digestoře:

- stisknout jakékoliv tlačítko regulace rychlosti (1, 2, 3);
- v případě nutnosti zapnout osvětlení (tlačítko ze zobrazením žárovky).

Vypnutí digestoře:

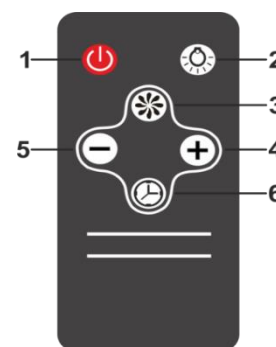
- stisknout regulátor rychlosti (1, 2, 3) na čidle v závislosti na provozní rychlosti digestoře (1-1, 2-2, 3-3).

Zapnutí a vypnutí digestoře pomocí dotykového přepínače proběhne jeho opakovaným stlačením, a to tak, že po prvním stlačení 1. rychlosti - digestoř se zapne, a po opětovném stlačení 1. rychlosti - digestoř se vypne.

Spuštění časovače: stisknout jedna z dotykových tlačítek (1, 2, 3) a udržovat ve stisknutém stavu během 5 vteřin. Časovač automaticky vypne digestoř po uplynutí 5 minut.

7.4 Řízení digestoře pomocí dálkového ovládání (obr. 7).

- Aby zapnout digestoř je zapotřebí stisknout tlačítko 1, 4 či 5. Aby vypnout digestoř je zapotřebí stisknout tlačítko 1.
- Aby zvětšit provozní rychlost je zapotřebí stisknout tlačítko 5, aby zmenšit provozní rychlost je zapotřebí stisknout tlačítko 4.
- Aby zapnout / vypnout osvětlení je zapotřebí stisknout tlačítko 2.
- Aby aktivovat časovač je zapotřebí stisknout tlačítko 6 kdy digestoř je v provozu.
- Aby vypnout časovač je zapotřebí zase stisknout tlačítko 6.



Obr.7

8. ÚDRŽBA

8.1 Upozornění! Vždy před jakýmkoliv čištěním odpojte digestoř z elektrické sítě.

8.2 Pro čištění vnější části digestoře s natřeným barvou povrchem, použijte vlhký hadřík namočený v teplé vodě s rozpouštěným v ní neutrálním čisticím prostředkem, a pro čištění vnější části digestoře s povrchem s nerezové oceli, používejte speciální čisticí prostředky podle příslušných pokynů.

8.3 K čištění digestoře nikdy nepoužívejte abrazivní čisticí prostředky, hrubé mycí houby nebo čisticí prostředky obsahující jedlou sodu, kyseliny, chloridy nebo rozpouštědla.

8.4 Při mytí digestoře dbejte na to, aby se na její elektrické části nedostala vlhkost, a po mytí otřete důkladně její povrch měkkým hadříkem.

8.5 Hliníkový filtr, na němž se akumulují mastnoty a prachy ze vzduchu, je třeba po namočení v horké vodě umýt účinným čisticím prostředkem jednou za 1,5 až 2 měsíce.

Poznámka: Změna barvy filtru po mytí nijak neovlivňuje jeho účinnost a funkčnost.

8.6 Aby deinstalovat hliníkový filtr (obr.8) je třeba natlačit na pružinovou západku, a tahem na sebe a dolů deinstalovat filtr z panelu. Instalaci filtru je třeba provést opačným postupem.

Poznámka: Neinstalujte filtr po mytí na digestoř dokud on nebude suchý.

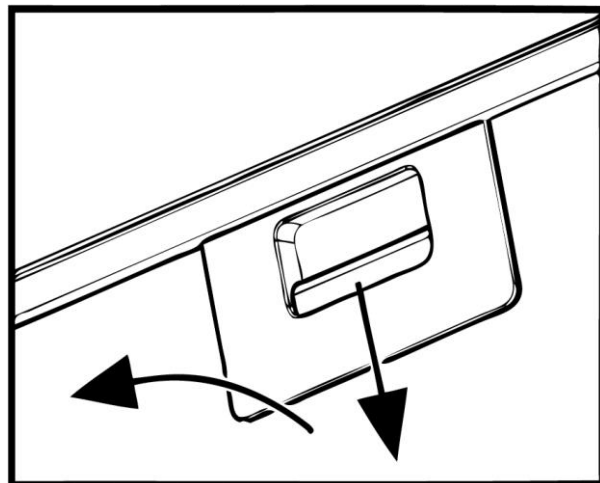
8.7 Na digestoři je namontované LED osvětlení varných

desek a pracovní zóny sporáku. Při výměně LED svítidel je nutno odpojit digestoř z elektrické sítě, a žárovky vyměnit až ochladnou. Vyjměte nefunkční žárovky tahem k sobě a odpojte jejich napájecí vodič (**obr.9**).

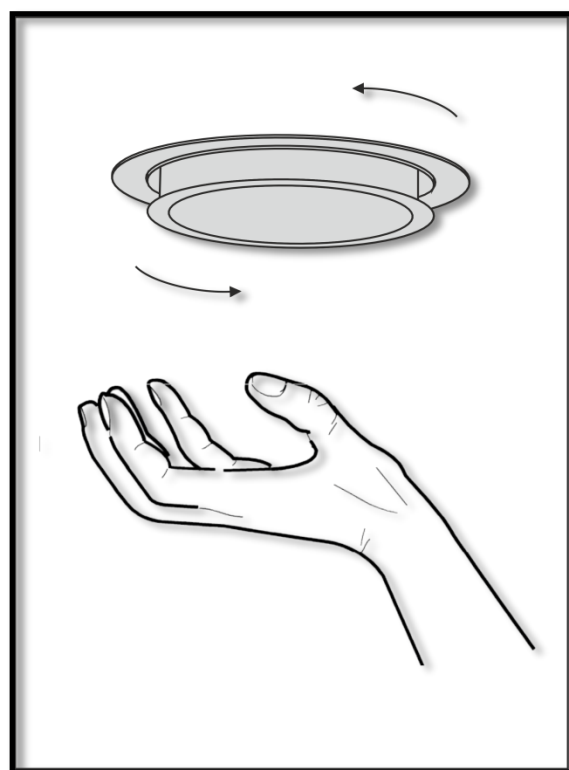
8.8 Uhlíkové filtry (potřeba dokoupit), které se používají v režimu recirkulace, by měly být vyměněné každých 3 až 6 měsíců v závislosti od provozních podmínek. Uhlíkové filtry se instalují na čep ve tvaru písmene T na krytu turbo ventilátoru způsobem axiálního nátlaku na nich s následujícím jejich otáčením ve směru hodinových ručiček.

Postup při výměně uhlíkového filtru (**obr. 10**):

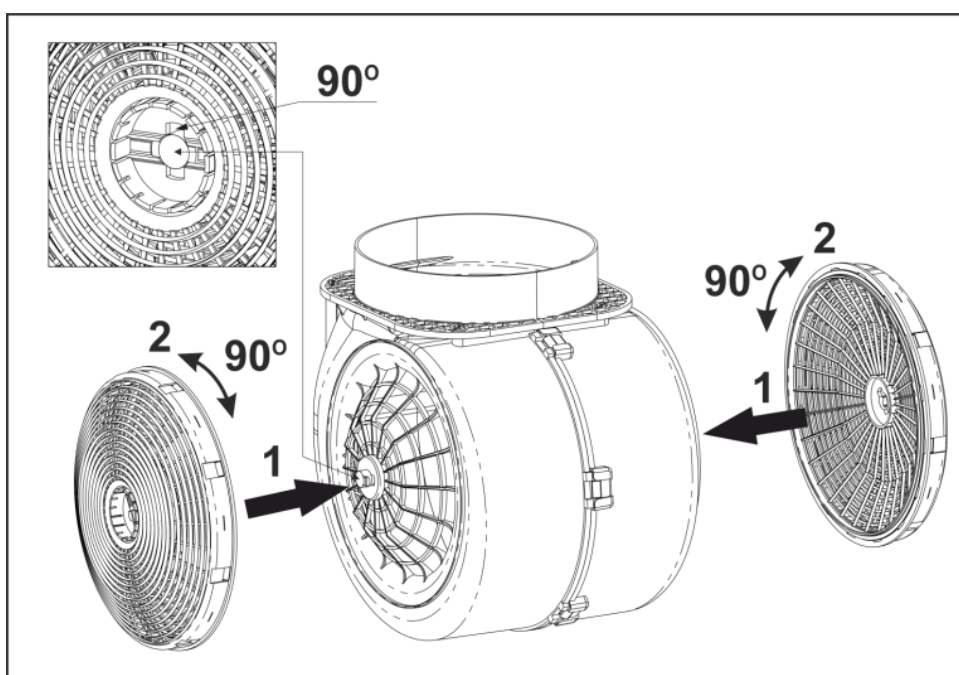
- Deinstalujte hliníkový filtr.
- (1) – Nainstalujte uhlíkový filtr na fixátor až na doraz z obou stran.
- (2) – Otočte uhlíkový filtr jakýmkoliv směrem na 90 stupňů aby zajistit jeho fixaci.
- Instalujte hliníkový filtr.



Obr.8

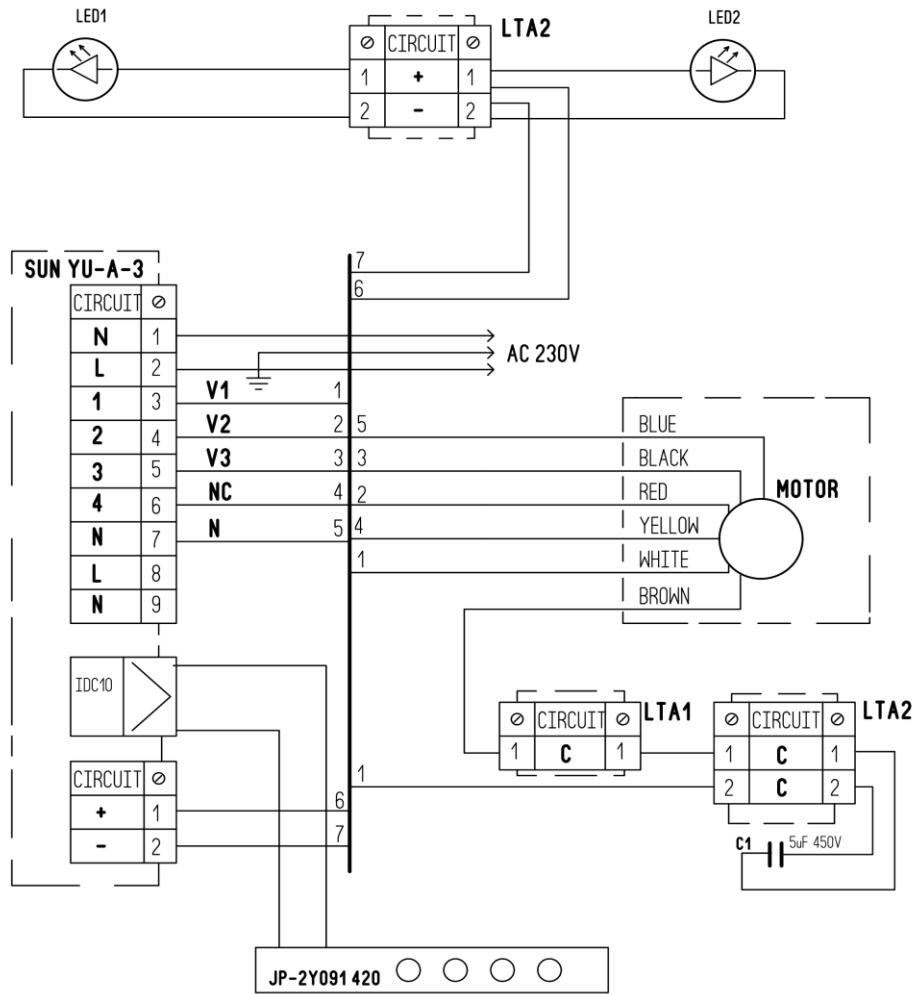


Obr.9



Obr.10

ZÁKLADNÍ ELEKTRICKÉ SCHÉMA



ŘEŠENÍ MOŽNÝCH PROBLÉMŮ

	Zkontrolujte, zda je elektrické připojení pevné	Zkontrolujte, zda je motor zapnutý	Zkontrolujte, zda je vypínač žárovky zapnutý	Zkontrolujte, zda je hliníkový filtr čistý (mytí filtru je třeba provést aspoň jednou za 1,5 až 2 měsíce)	Zkontrolujte, zda je v elektrické zásuvce provozní napětí	Zkontrolujte, zda jsou žárovky funkční	Zkontrolujte stav horního vzdušného vývodu	Zkontrolujte stav uhlíkového filtru (výměnu filtru je třeba provést aspoň jednou za 3 až 4 měsíce)
Digestoř není funkční	●	●			●			
Žárovka není funkční	●		●		●	●		
Snížená produktivita digestoře				●			●	●
Zvětšená hlučnost digestoře				●			●	
Slabý odvod vzduchu v režimu recirkulace				●				●

Vážení kupujúci, ďakujeme Vám, že ste si zvolili výrobok značky GUZZANTI. Urobili sme všetko úsilie aby boli ste spokojní s našim výrobkom.

1. ZÁKLADNÁ INFORMÁCIA

1.1 Pred inštaláciou a prevádzkou digestora je potrebné starostlivo prečítať všetky odporúčania, dodržiavanie ktorých zabezpečí spoľahlivú prevádzku výrobku. Majte návod na obsluhu vždy vedľa výrobku, na dosah ruky, aby ste mohli rýchlo získať odpovede na všetky prípadné otázky.

POZOR! Je nevyhnutné aby na výrobok pôsobila izbová teplota minimálne dve hodiny pred jeho zapnutím a začatím prevádzky.

1.2 Digestor slúži na odsávanie dymov a pár počas varenia z priestoru nad sporákom. Digestor sa používa výhradne v domácnosti.

POZOR! Použitie digestora pre iné ako domáce účely nie je prípustné! Pri použití digestora pre iné ako domáce účely existuje riziko fyzického zranenia osoby, poškodenia jej majetku či straty záruky na výrobok!

1.3 Digestor znižuje obsah vo vzduchu škodlivých látok nedokonalého spaľovania zemného plynu, čiastočne redukuje zápachy počas varenia a znižuje znečistenie stien, stropu a nábytku masťou a sadzami.

1.4 Výrobok slúži pre odsávanie a čistenie vzduchu pomocou diametrálneho ventilátora (turbíny) a je vybavený hliníkovým filtrom, zachytávacím tuky, a má opcii na inštaláciu dodatočného uhlíkového filtra, zachycujúceho zápachy. Výrobok je vyrobený s plechu z uhlíkovej ocele a má dekoratívny ochranný náter práškovými farbami.

1.5 V závislosti na spôsobe inštalácie nad sporákom, digestor môže fungovať vo dvoch verziách:

- odsávanie vzduchu s jeho ďalším vývodom s kuchyni navonok cez existujúci komínový či ventilačný systém s používaním vlnitých hliníkových alebo plastových potrubí s priemerom 150mm alebo 120mm (obr.1);

- vnútorná recirkulácia vzduchu v kuchyni, ak digestor sa nepripojuje k existujúcemu komínovému či ventilačnému systému, a odsatý vzduch po jeho recirkulácii cez zachycujúci tuky hliníkový filter (štandardné vybavenie) a zachycujúci zápachy uhlíkový filter (dodatočná opcia) sa vráti späť do kuchyni (obr.2).

1.6 Upozornenie! Digestor je potrebné pred inštaláciou dočasne pripojiť k elektrickej sieti aby skontrolovať funkčnosť a prevádzkyschopnosť jeho ovládacích prvkov, a potom odpojiť.

1.7 Odporúčame Vám, aby všetky inštalčné, nastavovacie a opravné práce na Vašom digestore sa vykonávali len školenými odborníkmi.

1.8 Výrobca nezodpovedá za prípadné poškodenie digestora, ktoré môže vzniknúť kvôli nesprávnej inštalácii, či kvôli jeho nevhodnej prevádzky alebo opravy.

1.9 Výrobca si vyhradzuje právo upraviť výrobok podľa svojho usúdenia za účelom zdokonaľovania jeho kvality a technických parametrov.

1.10 Technické údaje digestora sú uvedené v návode na obsluhu aj na pripevnenom k vnútornému povrchu tela digestora štítku, prístupnému k videniu po deinštalácii filtra.

1.11 Upozornenie! Digestor sa inštaluje na stenu nad varnou doskou elektrického sporáka vo výške 650 až 750mm. Digestor sa inštaluje na stenu nad varnou doskou plynového sporáka vo výške 750 až 850mm (obr.1).

2. ZÁKLADNÉ TECHNICKÉ ÚDAJE

Prevádzkové napätie, V		220-230
Frekvencia, Hz		50
Počet stupňov výkonu		3
Ovládanie		snímač
Menovitý výkon, W	Elektromotor	120
	LED osvetlenie	2x3
Výkon odsávania pri pripojení k štandardnému ventilačnému systému, m ³ /hod.		481
Celkové rozmery, mm	Šírka	700
	Hĺbka	295
	Výška	235
Pripojovacia veľkosť (priemer horného vývodu vetracích vzduchových kanálov), mm		Ø150 / Ø120
Hmotnosť, kg		8
Hlučnosť, dB		54-64
Trieda ochrany		1
Prevádzkový režim		S1 (dlhotrvajúci)
Zosilnený sieťový elektrický kábel s uzemnením		

3. OBSAH BALENIA

Obsah balenia zahrňuje:	Digestor ventilačný kuchynský	1 kus
	Plastový potrubný adaptér (Ø150 / Ø120mm)	1 kus
	Návod na obsluhu	1 kus

4. BEZPEČNOSTNÉ POKYNY

POZOR!	Sa striktno zakazuje pripojovať digestor k prívodu elektrického prúdu elektrického sporáka. Starostlivo chráňte napájací kábel digestora pred jeho mechanickým alebo tepelným poškodením.
---------------	--

4.1 Počas montáže, prevádzky a údržby digestora sa striktno zakazuje:

- Pripojovať digestor k sieti s napätiam a frekvenciou, nezodpovedajúcim hodnotám, uvedeným v článku 2;
- Používať LED svietidla s výkonom, presahujúcim 3 W;
- Vykonávať údržbu, výmenu LED svietidiel, deinštaláciu filtrov a čistenie digestora bez predchádzajúceho vytáhovania jeho zástrčky zo elektrickej zásuvky;
- Prevádzkovať digestor súčasne s otvoreným plameňom pod nim horiacim, a to prevádzkovať horáky na plynovom sporáku alebo ohrievacie telesá na elektrickom sporáku bez nádoby na nich. **Plynové horáky a elektrické telesá počas ich prevádzkovania musí byť vždy pod nádobou;**
- Variť pokrmy, vyžadujúce prídanie k nim alkoholických nápojov;
- Nechať fritézu bez dohľadu;
- Prevádzkovať digestor bez filtra;
- Pripojovať digestor k prívodu elektrického prúdu elektrického sporáka, odrezávať zástrčku na elektrickom kábli digestora, a pod.

Upozornenie! Používať plynový alebo elektrický sporák ak digestor je vypnutý sa striktno zakazuje!

4.2 Aby nedošlo k úrazu elektrickým prúdom, digestor musí byť zapojený do uzemnenej zásuvky.

4.3 Digestor musí byť pripojený k oddelenému ventilačnému kanálu a k nemu sa nesmie pripojovať akékoľvek ďalšie zariadenie.

4.4 Pri použití digestora súčasne s inými vykurovacími zariadeniami ako sú plynové a naftové pece (s výnimkou elektrických ohrievačov), je nutné zaistiť do miestnosti, vo ktorej je inštalovaný digestor, dodatočný prívod čerstvého vzduchu (napríklad, otvoriť vetracie okienko, a pod.).

4.5 Pri montáži digestora vo výške **H** (obr.1) nad varnou doskou (v závislosti na typu sporáka) pre spoľahlivé odsávanie vzduchu v komínový prieduch či ventilačný kanál, sa odporúča používať len vzdušný vývod s priemerom 150 až 120mm. Menší priemer vývodu vytvorí dodatočný odpor vzduchu, a tým sa zvýši hluk a vibrácie, a dokonca aj prehrievanie motora.

4.6 Je nutné zaistiť včasné čistenie mnohorázových hliníkových filtrov a odstránenie tuku s nich, inak sa efektívnosť digestora zníži a vznikne nebezpečenstvo požiaru v dôsledku akumulácie na filtri mastnoty a prachu.

4.7 V prípade vznietenia plameňa pod digestorom nikdy nezapínajte digestor aby odsával dym, až dokiaľ oheň nebude úplne lokalizovaný.

4.8 V prípade vznietenia plameňa pod digestorom ihneď zakryte plameň akoukoľvek vzduchotesnou handričkou, a potom bez meškania odpojte digestor od elektrickej siete. Nepoužívajte vodu na hasenie ohňa v prípade jej možného styku s elektrickým zariadením či jeho proudovodnými časťami.

4.9 Chráňte napájací kábel digestora pred jeho mechanickým alebo tepelným poškodením.

5. FUNKČNÝ POPIS

5.1 Digestor ventilačný kuchynský **GZ-443** je určený pre odsávanie a čistenie vzduchu pomocou diametrálneho ventilátora (turbíny) a je vybavený hliníkovým filtrom proti mastnotám. Digestor sa vyrába v prevedení s jedným motorom a s plechu z uhlíkovej ocele, opatrenej dekoratívnym ochranným náterom práškovými farbami.

5.2 Digestor patrí k typu «vstavaných» digestorov a je určený pre zabudovanie do kuchynského nábytku na stene nad sporákom.

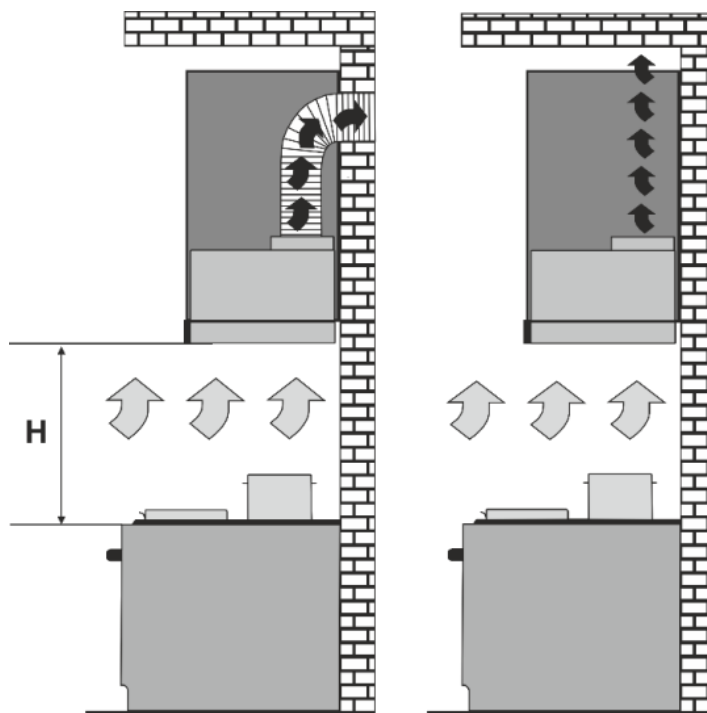
5.3 V závislosti na spôsobe inštalácie, digestor sa môže prevádzkovať vo dvoch verziách (**pozri odsek 1.5**):

- odsávanie vzduchu s jeho vývodom s kuchyni navonok cez existujúci komínový či ventilačný systém (obr.1);
- vnútorná recirkulácia vzduchu v kuchyni (obr.2).

Vzdialenosť **H**:

K elektrickému sporáku 65-75 cm

K plynovému sporáku 75-85 cm

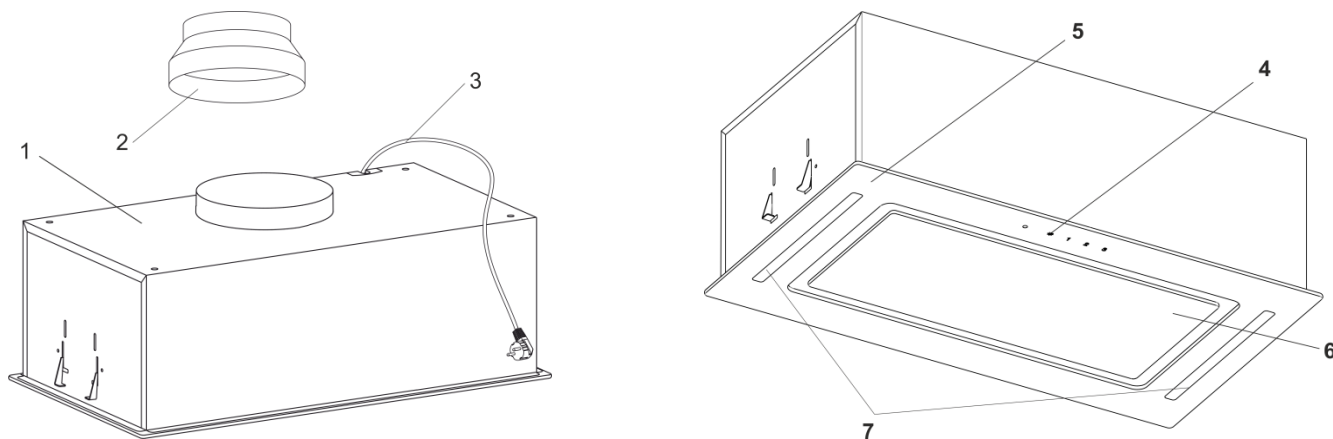


Obr.1

Obr.2

Poznámka: Ak digestor je dlhodobo v prevádzke, sa môže znížiť v zatvorenej miestnosti tlak, ktorý sa musí vyrovnat' prítokom čerstvého vzduchu. To možno dosiahnuť otvorením dverí, okien alebo uplatnením ventilačného zariadenia.

5.4 Základné prevedenie (obr.3):



Obr.3

- 1 – Telo digestora
- 2 – Adaptér vzduchového potrubia (Ø150 / Ø120)
- 3 – Elektrický prívodný kábel s uzemnením
- 4 – Prepínač prevádzkového režimu
- 5 – dekoratívny panel (vonkajšie sklo)
- 6 – dekoratívny panel (vnútorné sklo)
- 7 – LED svietidlá

6. INŠTALÁCIA

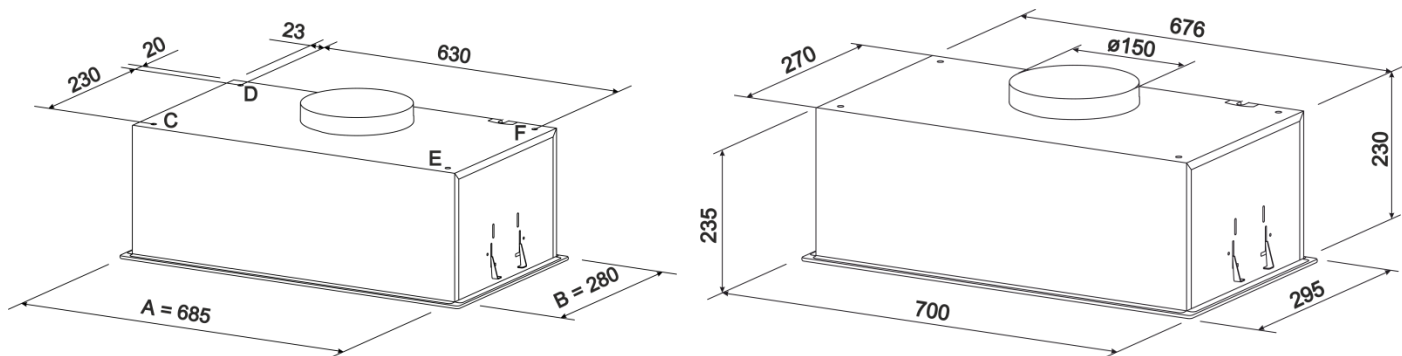
6.1 Zvoľte si prevádzkový režim (obr.1 / obr.2) a miesto na ktorom sa digester bude inštalovať.

6.2 Rozbaľte digester.

6.3 Dočasne pripojte digester k elektrickej sieti a skontrolujte prevádzkyschopnosť jeho funkčných prvkov, a po kontrole odpojte ho od napájacej siete.

Poznámka: Montážna výška digestora nad varnou doskou elektrického sporáka by mala byť minimálne 650mm. Montážna výška digestora nad varnou doskou plynového sporáka by mala byť minimálne 750mm (obr.1).

6.4 S prihliadnutím na výšku a spôsob situovania digestora pozdĺž spodnej časti kuchynského nábytku na stene nad sporákom a s použitím vopred pripravenej papierovej šablóny, označiť a vyrezať v tejto spodnej časti obdĺžnikový otvor striktno podľa veľkosti AxB (obr.4) zabudovanej časti digestora.



Obr.4

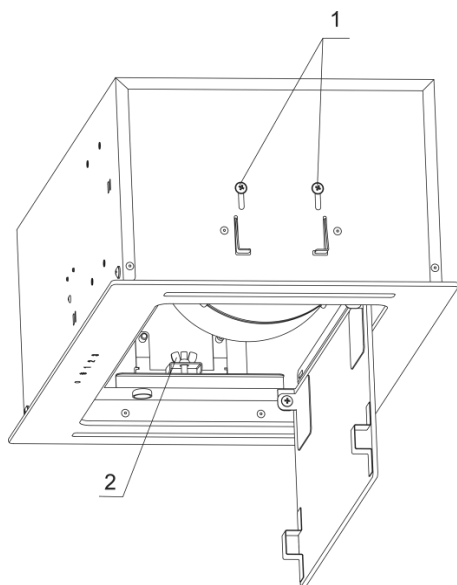
6.5 Inštalácia digestora MOŽNOSŤ č. 1

6.5.1 Pomocou skrutkovača, uvoľniť na oboch stranách o 0,5 otáčky 4 skrutky (pozícia 1 obr. 5). potom otvoriť vnútorné sklo a vytiahnuť hliníkový filter na zachytenie tukov a masťnôt.

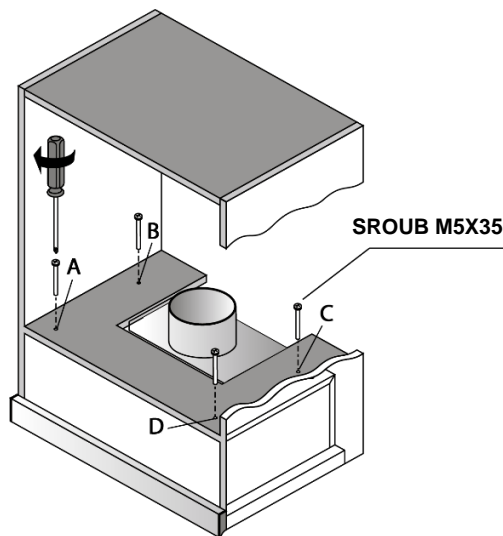
6.5.2 Ručne, na oboch stranách, vyskrutkovať na 5 otáčok (úplne nevyskrutkovať) krídlovú maticu (pozícia 2 obr. 5).

6.5.3 Vložiť digestor vo vyrezaný obdĺžnikový otvor za ľahkého stlačenia pružných svoriek (obr. 5). Ručne, na oboch stranách, zaskrutkovať krídlovú maticu (pozícia 2 obr. 5) až do úplného styku digestora a spodnej časti nábytku nad sporákom.

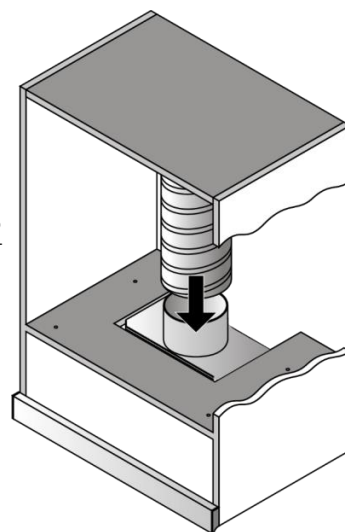
6.5.4 Vložiť späť hliníkový filter na zachytenie tukov a masťnôt, a zavrieť vnútorné sklo.



Obr. 5



Obr. 5.1



Obr. 5.2

6.6 Inštalácia digestora MOŽNOSŤ č. 2

6.6.1 Urobiť si papierovú šablónu so súradnicami otvorov CDEF (obr. 4) a priložiť túto šablónu k spodnej časti nábytku nad sporákom (obr. 5.1).

6.6.2 Označiť a vyvŕtať 4 otvory o priemeru 6 mm.

6.6.3 Digestor sa upevní pomocou 4 metrických skrutiek M5x35, priskrutkovaných zvnútra nábytku v závitovej matice M5, nitovanej do hornej roviny tela digestora.

6.7 V prípade nutnosti nasadiť na vzdušný vývod digestora príslušný adaptér o priemeru 150 či 120 mm.

6.8 Ak bude digestor sa prevádzkovať vo verzii odsávania vzduchu v komínový prieduch, je potrebné nainštalovať podľa pokynov vzduchové potrubí príslušného priemeru (obr. 5.2) a zaistiť jeho tesnosť. Pamätajte, že čím kratšie a rovnejšie je vzduchové potrubí od digestora, tým vyšším je jeho výkon a menším prevádzkový hluk a vibrácia.

6.9 Ak digestor sa bude prevádzkovať vo verzii recirkulácie, vtedy vzduchové potrubí nie je nutné a je nutné nainštalovať uhlíkový filter, ktorý pohlcuje zápach (predávaný samostatne).

6.10 Skontrolovať tesnosť prvkov digestora. Zapojiť digestor do elektrické siete pomocou príslušnej zásuvky.

7. POUŽITIE

7.1 Digestor je vybavený 4 vetracími rýchlosťami. V závislosti na množstve pary pri varení si môžete zvoliť nízku, strednú alebo vysokú úroveň ventilácie.

7.2 Pred varením zapnite digestor v požadovanom prevádzkovom režime a po skončení varenia odporúčame Vám nechať digestor v prevádzke na ďalších 3 až 5 minút, aby sa vzduch v kuchyni sa dôkladne očistil od zvyškov odparovania a zápachov.

7.3 Na dolnom paneli tela digestora je umiestnený prepínač prevádzkového režimu a zapnutia LED osvetlenia (**obr.6**).



Obr.6

- ☀ - - svetlo zapnuté/vypnuté
- 1 - 1 rýchlosť (nízka rýchlosť)
- 2 - 2 rýchlosti (priemerná rýchlosť)
- 3 - 3 rýchlosti (vysoká rýchlosť)

Zapnutie digestora:

- stlačiť akékoľvek tlačidlo regulácie rýchlosti (1, 2, 3);
- v prípade nutnosti zapnúť osvetlenie (tlačidlo so zobrazením žiarovky).

Vypnutie digestora:

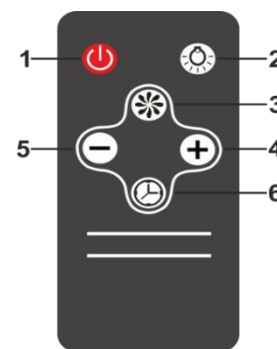
- stlačiť regulátor rýchlosti (1, 2, 3) na snímači v závislosti na prevádzkovej rýchlosti digestora (1-1, 2-2, 3-3).

Zapnutie a vypnutie digestora pomocou dotykového prepínače prebehne jeho opakovaným stlačením, a to tak, že po prvom stlačení 1. rýchlosti - digestor sa zapni, a po opätovnom stlačení 1. rýchlosti - digestor sa vypni.

Spustenie časovača: stlačiť jednou z dotykových tlačidiel (1, 2, 3) a udržiavať vo stlačenej polohe v priebehu 5 sekúnd. Časovač automaticky vypni digestor po uplynutí 5 minút.

7.4 Riadenie digestora pomocou diaľkového ovládania (**obr. 7**).

- Aby zapnúť digestor je potrebné stlačiť tlačidlo 1, 4 či 5. Aby vypnúť digestor je potrebné stlačiť tlačidlo 1.
- Aby zväčšiť prevádzkovú rýchlosť je potrebné stlačiť tlačidlo 5, aby zmenšiť prevádzkovú rýchlosť je potrebné stlačiť tlačidlo 4.
- Aby zapnúť / vypnúť osvetlenie je potrebné stlačiť tlačidlo 2.
- Aby aktivovať časovač je potrebné stlačiť tlačidlo 6 kedy digestor je v prevádzke.
- Aby vypnúť časovač je potrebné zase stlačiť tlačidlo 6.



Obr.7

8. ÚDRŽBA

8.1 Upozornenie! Vždy pred akýmkoľvek čistením odpojte digestor od elektrickej siete.

8.2 Na čistenie vonkajšej časti digestora s natretým farbom povrchom, použite vlhkú handričku namočenú v teplej vode s rozpusteným v nej neutrálnym čistiacim prostriedkom, a pre čistenie vonkajšej časti digestora s povrchom s nerezovej ocele, používajte špeciálne čistiace prostriedky podľa príslušných pokynov.

8.3 Na čistenie digestora nikdy nepoužívajte abrazívne čistiace prostriedky, hrubé hubky alebo čistiace prostriedky, obsahujúce jedlú sódu, kyseliny, chloridy alebo rozpúšťadlá.

8.4 Pri upratovaní digestora dbajte na to, aby sa na jeho elektrické časti nikdy nedostala vlhkosť, a po upratovaní utrite dôkladne jeho povrch suchou mäkkou handričkou.

8.5 Hliníkový filter, na ktorom sa akumulujú mastnoty a prachy zo vzduchu, je potrebné po namočení v horúcej vode umyť účinným čistiacim prostriedkom jedenkrát za 1,5 až 2 mesiace.

Poznámka: Zmena farby filtra po jeho umytí v žiadnom prípade neovplyvňuje jeho účinnosť a funkčnosť.

8.6 Aby deinštalovať hliníkový filter (obr.8) je potrebné natlačiť na pružinovú západku, a ťahom na seba a dole deinštalovať filter z panela. Inštaláciu filtra je potrebné vykonať opačným postupom.

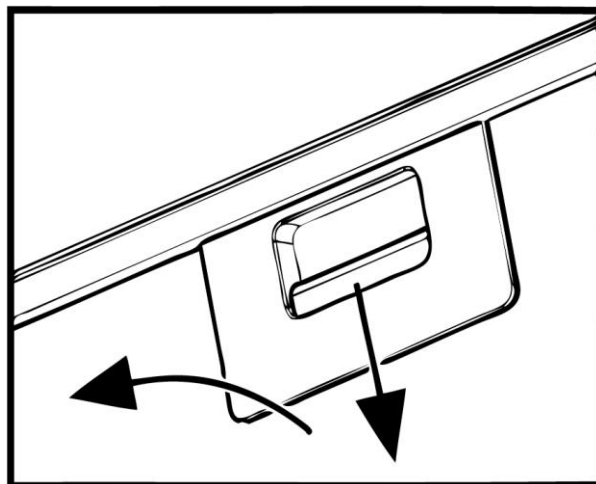
Poznámka: Neinštalujte filter po umytí na digestor až dokiaľ on nebude suchý.

8.7 Na digestore je namontované LED osvetlenie varných dosiek a pracovnej zóny sporáka. Pri výmene LED svietidiel je nutné odpojiť digestor z elektrickej siete, a žiarovky vymeniť až ochladnú. Vytiahnite nefunkčné žiarovky ťahom k sebe a odpojte ich elektrický napájací vodič (obr.9).

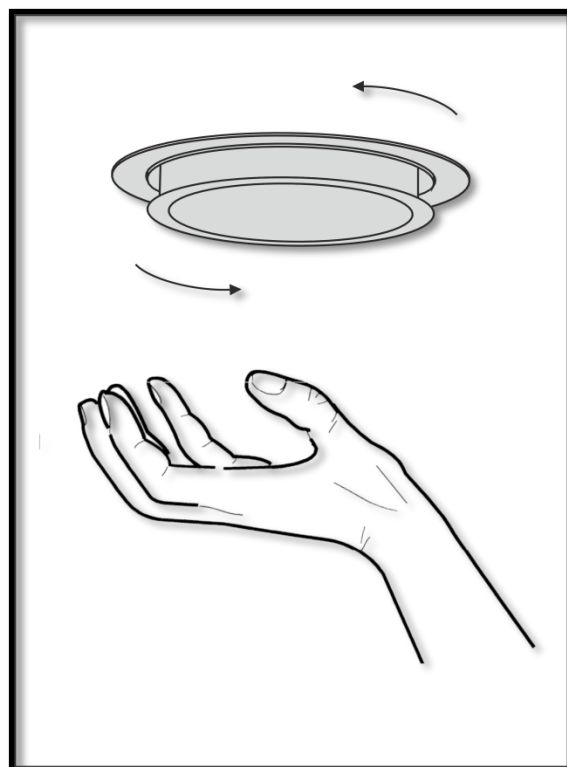
8.8 Uhlíkové filtre (**potreba dokúpiť**), ktoré sa používajú v režime recirkulácie, by mali byť vymenené každých 3 až 6 mesiacov v závislosti od prevádzkových podmienok. Uhlíkové filtre sa inštalujú na čap vo tvare písmena T na kryte turbo ventilátora spôsobom axiálneho nátlaku na nich s nasledujúcim ich otáčaním v smere hodinových ručičiek.

Postup pri výmene uhlíkového filtra (**obr. 10**):

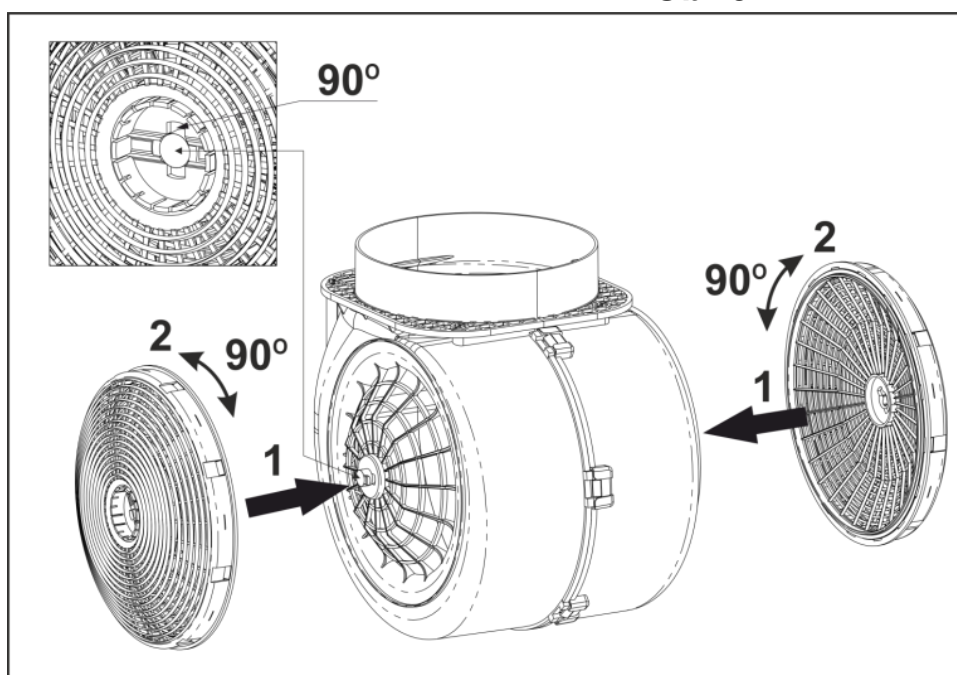
- Deinštalujte hliníkový filter.
- (1) - Nainštalujte uhlíkový filter na fixátor až na doraz z oboch strán.
- (2) - Otočte uhlíkový filter akýmkoľvek smerom na 90 stupňov aby zaistil jeho fixáciu.
- Inštalujte hliníkový filter.



Obr.8

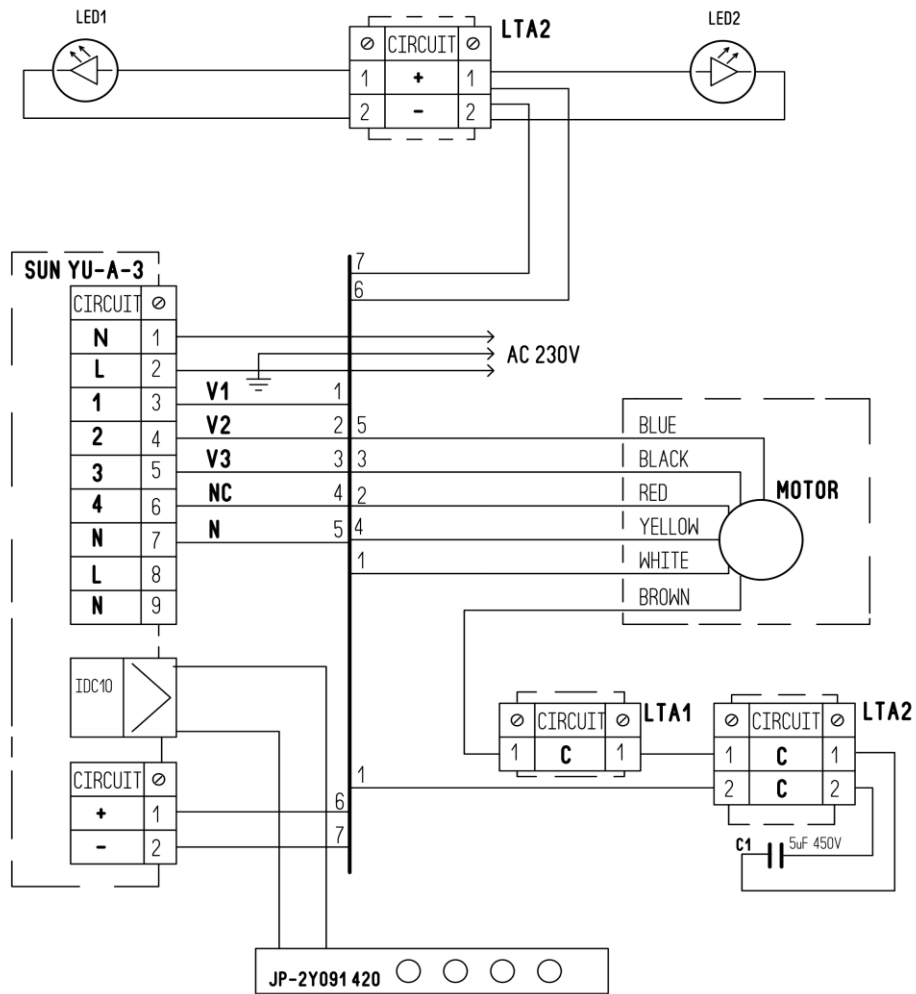


Obr.9



Obr.10

ZÁKLADNÝ ELEKTRICKÝ SCHÉMA



RIEŠENIE MOŽNÝCH PROBLÉMOV

	Skontrolujte, či je elektrické pripojenie pevné	Skontrolujte, či je motor zapnutý	Skontrolujte, či je vypínač žiarovky zapnutý	Skontrolujte, či je hliníkový filter čistý (umytie filtra je potrebné vykonať aspoň raz za 1,5 až 2 mesiace)	Skontrolujte, či je v elektrickej zásuvke prevádzkové napätie	Skontrolujte, či sú žiarovky funkčné	Skontrolujte stav horného vzdušného vývodu	Skontrolujte stav uhlíkového filtra (výmenu filtra je potrebné vykonať aspoň raz za 3 až 4 mesiace)
Digestor nie je funkčný	●	●			●			
Žiarovka nie je funkčná	●		●		●	●		
Znížená produktivita digestora				●			●	●
Zväčšená hlučnosť digestora				●			●	
Slabý odvod vzduchu v režime recirkulácie				●				●

Tisztelt vevő!

Hálások vagyunk hogy a «GUZZANTI» kerekedelmi márka termékét választotta. Minden erőfeszítésünkkel vagyunk azzal, hogy a választásával elégedett legyen.

1. ÁLTALÁNOS UTASÍTÁSOK

1.1 A páraelszívó felszerelése és üzemeltetése előtt figyelmesen olvassa el az utasításainkat, melyek biztosítják a berendezés biztonságos működését. Ne dobja ki a jelen utasítást, mivel az a később felmerülő kérdésekre adhat választ.

FIGYELEM! ÜZEMELTETÉS ELŐTT (BEKAPCSOLÁS ELŐTT), A BERENDEZÉS MINIMUM KÉT ÓRÁIG SZOBAI HŐMÉRSÉKLETNÉL LEGYEN.

1.2 A páraelszívó elrendeltsége az, hogy eltávolítsa a szennyezett levegőt az ételkészítési berendezés fölöti levegőből, kimondottan háztartásban üzemelhető.

FIGYELEM! A HÁZTARTÁSI CÉLOKTÓL KÜLÖNB CÉLOKBÓL VALÓ TERMÉK HASZNÁLATA TILOS! A PÁRAELSZÍVÓ MÁS CÉLOK HASZNÁLATA KÖZBEN SEBESÜLÉS ÉS VAGYONTÁRGYAK KÁROSODÁSÁNAK A VESZÉLYE ÁLL FENN, A TERMÉK ELVESZITI A RÁ VONATKOZÓ GARANCIÁT!

1.3. A páraelszívó használata csökkenti a földgáz hiányos elégetéséből származó káros termékek levegőben lévő tartalmát, részben csökkenti a főzés során keletkező kellemetlen szagokat, csökkenti a falak, mennyezetek és bútorok zsírrészecskékkal és korommal való szennyeződését.

1.4. A termék átmérőjű ventilátorral (turbinával) ellátott kipufogógáz-típusú légtisztító, zsírszívó alumíniummal van ellátva (tartozék), és lehetősége van kiegészíteni a szagelnyelő szénszűrőt. Szénacéllemezből készül, dekoratív - porfestékekkel védő burkolattal. 1.5B залежності від схеми установки над плитою витяжка може працювати в двох варіантах:

- a levegő elszívásának üzemmódjában a konyha álló szellőzőnyílásában (kéményben) hullámosított alumínium vagy műanyag légcsatornák használatával Ø150mm vagy Ø120mm (1. rajz);

- recirkulációs üzemmódban (zárt körkörös légkeringetés a konyhában), amikor a páraelszívó nincs csatlakoztatva a kéményhez, és a levegőt a zsírszívó alumínium (tartozék) és a szagelnyelő szén (külön megvásárolható) révén kiszorítja és visszavezeti a konyhába (2. rajz).

1.6. Figyelem! Csak akkor kezdje el a páraelszívó felszerelését, ha csatlakoztatta az elektromos hálózathoz, és ellenőrizte annak műszaki működését, és minden funkcióját.

1.7 Javasoljuk, hogy a páraelszívó felszerelésével, csatlakoztatásával és javításával kapcsolatos minden munkát csak szakképzett szakemberekre bízsanak, akik szakmailag foglalkoznak az ilyen munkákkal.

1.8. A gyártó nem vállal felelősséget a páraelszívó helytelen felszerelésével, üzemeltetésével és javításával kapcsolatos károkért és meghibásodásokért.

1.9. A gyártó fenntartja a jogot, hogy a terméket minőségi és műszaki paramétereinek javítása érdekében módosítsa.

1.10. A páraelszívó műszaki jellemzőit ebben az utasításban és a ház belső felületéhez rögzített címkén vannak feltüntetve (a hozzáférése a szűrő eltávolításával elérhető).

1.11. Figyelem! A páraelszívót fell kell szerelni a falra az elektromos tűzhely felett 650-750 mm magasságban, a gáztűzhelyek felett pedig 750-850 mm magasságban a munkafelületétől (1. rajz).

2. FŐ MŰSZAKI JELLEMZŐK

FESZÜLTSEG, V		220-230
FORDÍTÁS GYAKORISÁGA, Hz		50
MUNKAÜTEMŰZEM MENNYISÉGE		3
VEZÉRLÉS TIPUSA		érzékelő
NÉVLEGES FOGYASZTÁSI KAPACITÁS, Vt	ELEKTROMOS MOTOR	120
	VILÁDITÓLÁMPÁK(LED)	2x3
TELJESÍTMÉNY A STANDARD SZELLŐZÉSI RENDSZERHEZ VALÓ CSATLAKOZÁSKOR, M ³ /ÓRA		481
A PÁRAELSZIVÓ MÉRETEI, MM	SZÉLESSÉG	700
	MÉLYSÉG	295
	MAGASSÁG	235
A SZELLŐZŐ LEVEGŐCSŐ MÉRETEI, MM		Ø150 / Ø120
SÚLY, KG		8
A UAJ MÉRTÉKRE (Db)		54-64
VÉDELMI OSZTÁLY		I
ÜZEMÜTEMMÓD		S1 (hosszantartó)
PÁRAELSZIVÓ ELEKTROMOS FÖLDELÉSSEL ELLÁTOTT KÁBELE		

3. SZÁLLITÁSI KÉSZLET

A SZÁLLITÓKÉSZLETHEZ TARTÓZIK	KONYHAI PÁRAELSZIVÓ	1 DB.
	MŰANYAG ADAPTER CSŐ (3 Ø150 Ø120 mm-re)	1 DB.
	ÜZEMELTETÉSI UTASÍTÁS	1 PÉLDÁNY.

4. BIZTONSÁGI KÖVETELMÉNYEK

FIGYELEM	TILOS A PÁRAELSZIVÓT AZ ELEKTROMOS TŰZHELY HÁLÓZATÁBA KAPCSOLNI. VÉDJE AZ ELEKTOMOS KÁBELT A MECHANIKUS ÉS HŐKÁROSODÁSOKTÓL.
-----------------	---

4.1 A felszerelés, üzemeltetés és karbantartás során szigorúan tilos:

- Bekapcsolni a páraelszivót az elektromos hálózatba olyan feszültséggel és frekvenciával, amely nem felel meg a 2. fejezet feltételeinek;
- **használni 3 W-nál nagyobb teljesítményű világító lámpákat (LED);**
- végezni karbantartást, lámpák cseréjét, a szűrők eltávolítását, a ház tisztítását anélkül, hogy előzőleg kihúzná a kábelt a konnektorból;
- a páraelszivó üzemeltetése nyitott tűzforrással, nyitott gázégőknél vagy fűtőelemeknél. **A fűtőelemeket mindig edényekkel kell lefedni;**
- főzés szesszesítal alkalmazásával;
- felügyelet nélkül hagyni a készüléket;
- a páraelszivó működtetése eltávolított szűrőkkel;
- csatlakoztatni a páraelszivót az elektromos hálózathoz, szereléskor elvágni a villanyhúzal csatlakozóját.

FIGYELEM! SZIGORÚAN TILOS HASZNÁLNI A GÁZ- (ELEKTROMOS) TŰZHELYET A KIKAPCSOLT PÁRAELSZIVÓ KÖZBEN!

4.2. Az áramütés elkerülése érdekében a páraelszívót a földelt aljzathoz kell csatlakoztatni.

4.3. A páraelszívót külön szellőző aknához kell csatlakoztatni. Tilos más eszközöket ugyanahhoz az aknához csatlakoztatni.

4.4. Ha a páraelszívót egyidejűleg az elektromos mellett más fűtőberendezésekkel (gáz, olaj, kemencék stb.) használja, **akkor további helyiséget kell biztosítani a páraelszívó felszereléséhez (pl. nyissa ki az ablakot).**

4.5. Ha a páraelszívót a szükséges felszerelési magasságra H a tűzhely fölé szereli fel (1. rajz), a levegő eltávolítására a kéménybe az Ø150 - Ø120mm csatorna használata szükséges. A kisebb átmérő további légellenállást eredményez, ami növeli a zajt és a rezgést, valamint a motor túlmelegedését.

4.6. Gondoskodjon az újrafelhasználható alumínium zsírcsapdák időben történő tisztításáról, különben csökken a páraelszívó hatékonysága, és a zsír és a por felhalmozódása miatt a szűrőben tűzveszély áll fenn.

4.7. Gyulladás esetén ne kapcsolja be a páraelszívót a füst csökkentése érdekében, amíg a tűz teljesen lokalizálódik.

4.8. Ha a páraelszívó alatt gyulladás keletkezik, takarja le a lángot vastag ruhával, kapcsolja ki a páraelszívót a hálózatról, ne használjon vizet a láng eloltására az elektromos készülékek mellett.

4.9. Óvja a hálózati kábelt a mechanikai és termikus károsodásoktól.

5. A PÁRAELSZIVÓ LEÍRÁSA

5.1 A "GZ-443" konyhai páraelszívó légtisztító készülék, átmérőjű ventilátorral (turbinnal), és zsírmegfogó alumínium szűrővel kiegészítve. A termék egymotoros kivitelben szénacéllemezből készül, dekoratív – porfestékekkel ellátott védőburkolattal.

5.2. Az szellőző a "beépített szellőző" típushoz tartozik, és a konyhabútorba, a falra, a tűzhely felett kell felszerelni.

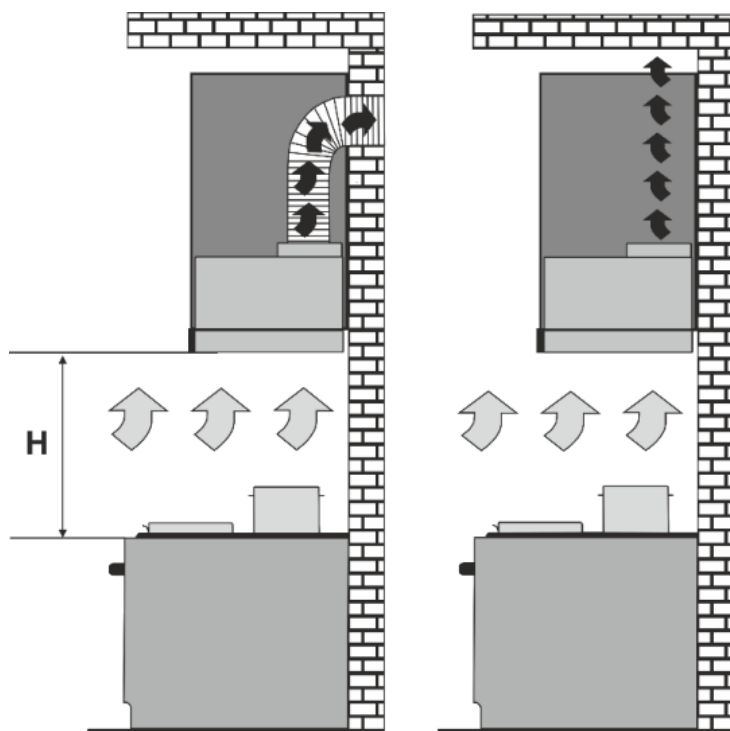
5.3 A felszerelés sémájától függően a páraelszívó kétféle módon működik (lásd 1.5 pont):

- a konyhai kémény levegőelszívásának módjában (1. rajz);
- recirkulációs üzemmódban (a levegő zárt körkörös cirkulációja a konyhában) (2. rajz).

H távolság:

Elektromos tűzhelyhez 65-75cm

Gáztűzhelyhez 75-85cm

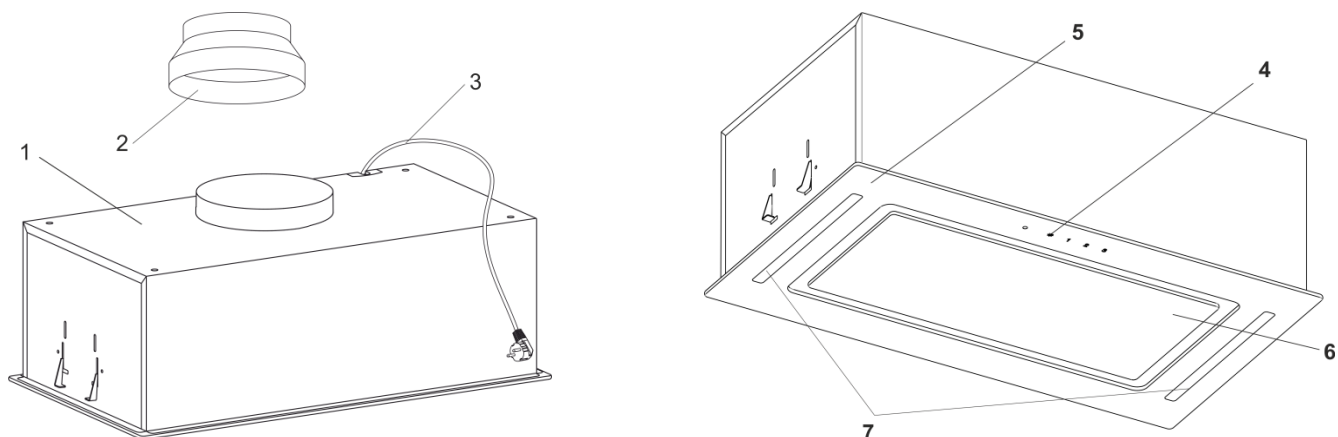


rajz.1

rajz.2

„Figyelembe kell venni, hogy a páraelszívó beltéri bekapcsolásakor a nyomás automatikusan csökken, amelyet a friss levegő beáramlása miatt ki kell egyenlíteni. Ez úgy érhető el, ha ajtókat, ablakokat vagy speciális utánpótlású szellőző berendezéseket nyit ki.”

5.4. A páraelszívó a következő alkatrészekből áll (3. rajz):



rajz.3

- 1 - a páraelszívó váza
- 2 – a légszatorna elágazó csövének adaptere (Ø150-től Ø120-ig)
- 3 – elektromos vezeték földeléssel
- 4 - a páraelszívó üzemmódjainak váltója
- 5 - dekoratív panel (külső üveg)
- 6 - dekoratív panel (belső üveg)
- 7 - világító lámpák

6. A PÁRAELSZÍVÓ FELSZERELÉSÉNEK UTASÍTÁSA

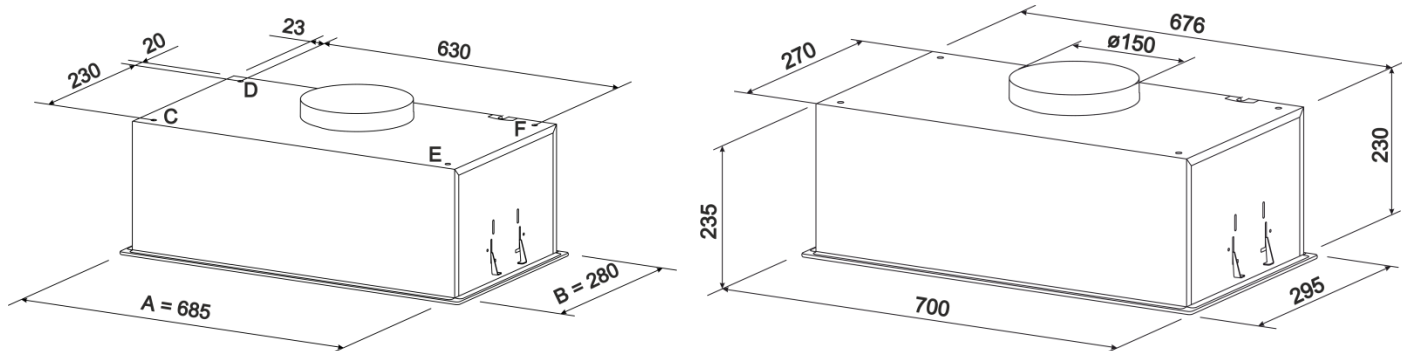
6.1. Válassza ki az üzemmódot (1. rajz/ 2. rajz) és a páraelszívó felszerelésének helyét.

6.2. Távolítsa el a páraelszívót a csomagolódobozból.

6.3. Csatlakoztassa a páraelszívót az elektromos hálózathoz, és ellenőrizze annak minden funkcióját.

Emlékeztetünk arra, hogy az elektromos tűzhely fölött a páraelszívó felszerelésének magasságának legalább 650 mm-nek, a gáztűzhelyjé pedig legalább 750 mm-nek kell lennie (1. rajz).

6.4. Figyelembe véve a megállapított magasságot és a szellőző a felakasztható konyhabútor alsó polcához való hozzáillesztés feltételét, az előzőleg elkészített papírsablonon vágja ki egy téglalakú nyílást a szellőző beszerelt részének méretei AxB (4. rajz) szerint.



rajz.4

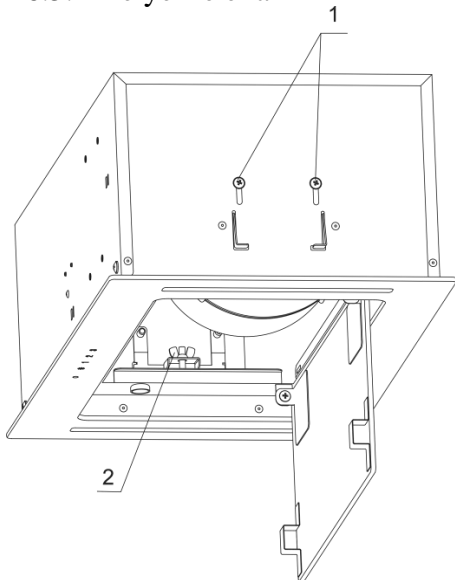
6.5 A szellőző felszerelése №1. VARIÁNS

6.5.1 Csavarhúzóval kétoldalt 0,5 forgásra engedje el a négy csavart (1. pozíció 5. rajz). Ezután nyissa ki a belső üveget és húzza ki a zsírelszívó alumínium szűrőt.

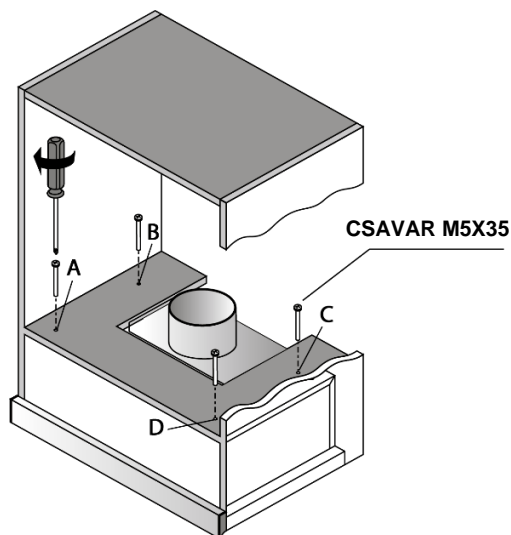
6.5.2 Kézzel, kétoldalt 5 forgásra csavarja ki (egészen nem kell kicsavarni) a rögzítő anyát (2. pozíció 5. rajz 5).

6.5.3 Könnyedén megnyomva a rúgós szorítókat, helyezze be a szellőzőt a téglalakú nyílásba (5. ábra). Kézzel, kétoldalt csavarja be az anyát (2. pozíció 5. rajz 5) a szellőző a felakasztható konyhabútor alsó polcához való teljes hozzáillesztésig.

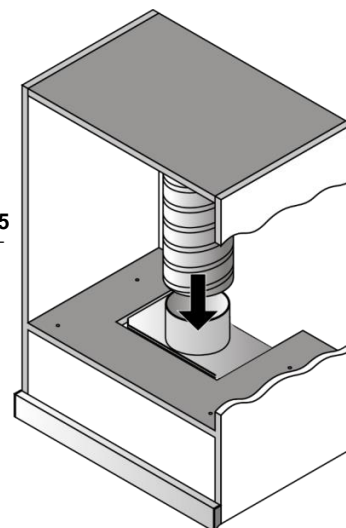
6.5.4 Helyezze el a zsírelszívó alumínium szűrőt, zárja be a belső üveget.



rajz. 5



rajz. 5.1



rajz. 5.2

6.6 A szellőző felszerelése №2. VARIÁNS

6.6.1 Készítsen egy papírsablont a nyílás CDEF koordinátaival (4. rajz), illessze oda a sablont a konyhabútor pocájához (5.1. rajz).

6.6.2 Jelezze meg és fúrjon 4 nyílást $\varnothing 6$ átmérőjű fúróval.

6.6.3 A szellőzőt 4 M5x35 csavarral kell rögzíteni, amelyeket a felakasztható konyhabútor belsejébe M5 anyával kell becsavarni, és a szellőző vázának felső lemezéhez kell csavarni.

6.7 Szükség esetén a szellőző csövén helyezze el a légső átmenetét ($\varnothing 150 / 120$ mm).

6.8 Ha a szellőző a kéménybe való levegő kivezetési módban fog működni, szerelje fel a kiválasztott átmérőjű légsőt az utasítás szerint (5.2. rajz), biztosítva annak hermetikusságát. Vegye figyelembe, hogy minél rövidebb és egyenesebb a légső, annál nagyobb a teljesítmény és kevesebb a zaj és a szellőző vibrációja.

6.9 Ha a szellőző re cirkuláció módban működik akkor a légsőre nincs szükség. Fel kell szerelni szagnyelő szénszűrőt (külön kapható).

6.10 Ellenőrizze a szellőző rögzítésének a biztonságát, húzza meg és a konnektoron csatlakozza a kábelt az áramhálózatához.

7. PÁRAELSZÍVÓ HASZNÁLATI ÉS KARBANTARTÁSI UTASÍTÁSA

7.1. A páraelszívó 4 sebességű szellőzéssel rendelkezik. A főzés közbeni párolgás mértékétől függően választhat alacsony, közepes vagy magas szellőzést.

7.2. Főzés előtt kapcsolja be a páraelszívót a kívánt üzemmódban. Javasoljuk, hogy 3-5 percig folytassa a páraelszívó működését a főzés után, így a konyhában lévő levegő megtisztul a párolgási maradványoktól és szagoktól.

7.3 A váz alsó paneljén található az üzemmódok és a világító lámpák beépítésének kapcsolója (6. rajz).




1

2

3

rajz.6

 - világítás be/ki

1 - 1 sebesség (alacsony sebesség)

2 - 2 sebesség (átlagos sebesség)

3 - 3 sebesség (nagy sebesség)

A szellőző bekapcsolása:

- nyomja meg bármely sebességszabályozó gombot (1, 2, 3);
- szükség esetén kapcsolja be a világítást (lámpa jelével ellátott gomb).

A szellőző kikapcsolása:

- nyomja meg a sebességszabályozót (1, 2, 3) az érzékelőn, attól függően, milyen sebességgel működik a szellőző (1-1, 2-2, 3-3).

A szellőző be- és kikapcsolását szenzoros kapcsoló segítségével, annak dupla megnyomásával, tehát 1. sebességre, kell végezni, másodszori gombnyomásnál 1. sebességre a szellőző kikapcsolódik.

Időmérő elindítása: Az időmérő elindításához nyomja meg az egyik (1, 2, 3) szenzorgombot és 5 másodpercig tartsa azt. Az időmérő 5 perc múlva automatikusan kikapcsolja a szellőzőt.

7.4 Szellőző irányítása távirányítóval (7. rajz).

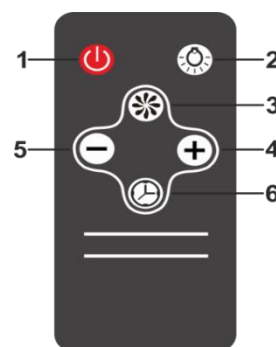
-A szellőző bekapcsolásához nyomja meg az 1., 4., vagy az 5. gombot. A szellőző kikapcsolásához nyomja meg az 1. gombot.

-A működés sebességének növelésére vagy csökkentésére nyomja meg megfelelően az 5., vagy a 4. gombot.

-A világítás be- vagy kikapcsolásához nyomja meg a 2. gombot.

-Az időmérő aktiválásához a bekapcsolt szellőzőnél nyomja meg a 6. gombot.

-Az időmérő kikapcsolásához nyomja meg a 6. gombot.



rajz.7

8. PÁRAELSZÍVÓ KARBANTARTÁSI UTASÍTÁSA

8.1. Figyelem! Tisztítás előtt kapcsolja le a páraelszívót az elektromos hálózatról.

8.2. A festett kivonat külső tisztításához használja a nedves, meleg vízben semleges mosószerrel megnedvesített szövetet, rozsdamentes acélból történő kivonáshoz pedig speciális eszközöket, a megfelelő utasítások betartásával.

8.3. A páraelszívó tisztításához soha ne használjon súrolószert, durva szivacsot vagy szódabikarbónát, savat, kloridokat vagy oldószereket tartalmazó tisztítószert.

8.4. Mosás közben kerülje a nedvesség bejutását a páraelszívó áramvezető részeire, és mosás után törölje le a felületet puha ruhával.

8.5. Az alumínium szűrő, amely visszatartja az olajat és a port a levegőből, eltömődik, és **1,5–2 havonta 1 alkalommal** kell mosni hatékony mosószerrel, forró vízben áztatás után.

A szűrő színének megváltoztatása mosás után nem befolyásolja a munka minőségét.

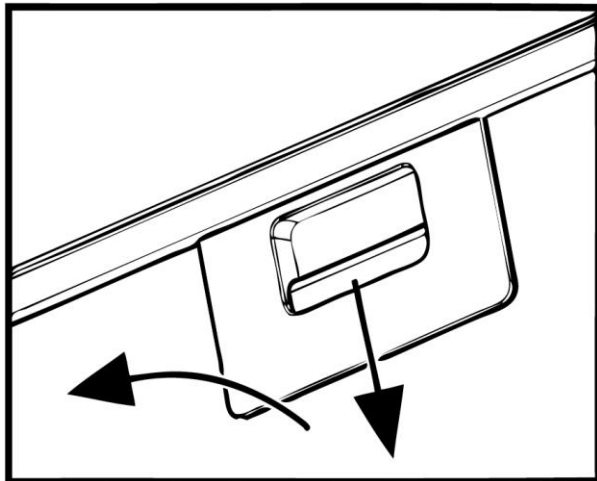
8.6. Az alumínium szűrő eltávolításához (8. rajz) nyomja meg a rugós reteszt, és húzza fel és le, távolítsa el a szűrőt a panelről. Telepítse a szűrőt fordított sorrendben.

Mosás után ne szerelje be a szűrőt, amíg teljesen meg nem szárad.

8.7. A páraelszívón felvannak szerelve a tűzhely munkaterületének

megvilágítására szolgáló LED-lámpák. A világító lámpák cseréje előtt le kell választani a páraelszívót az áramellátó hálózatról, hogy legyen a lámpák hűljenek le. Távolítsa el a lámpát a páraelszívóból úgy, hogy magára húzza, és húzza ki a vezetékét az akkumulátorból (9. rajz).

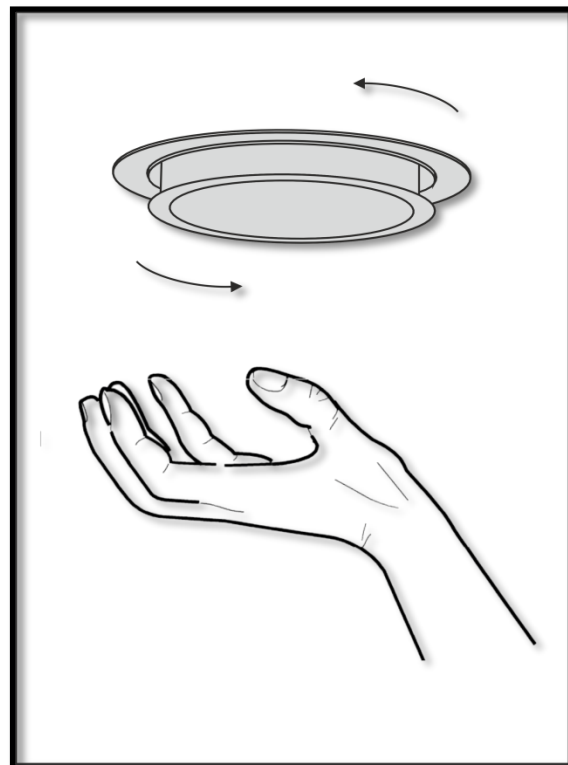
8.8. A recirkulációs üzemmódban használt szénzsűrőket (külön megvásárolhatók) 3-6 havonta cserélni kell, a páraelszívó működésétől függően. A szűrőket axiális nyomással és az óramutató járásával megegyező irányban történő forgatással a turboventilátor burkolatának T-csapjára rögzítik.



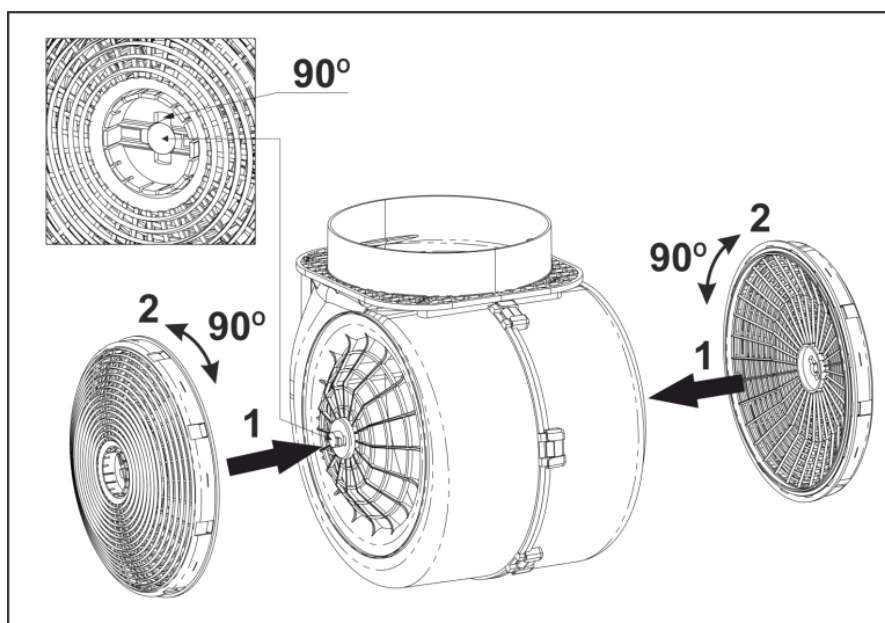
rajz.8

A szénzsűrő cseréjéhez hajtsa végre a következő lépéseket (10. rajz):

- Távolítsa el az alluminium szűrőt.
- (1) - Szerelje be a kétolalt ütközésig szénzsűrőt a rögzítőre.
- (2) - A szénzsűrőt 90 fokos szögben fordítsa tetszőleges irányba, rögzítve azt.
- Szerelje be az alumínium szűrőt.

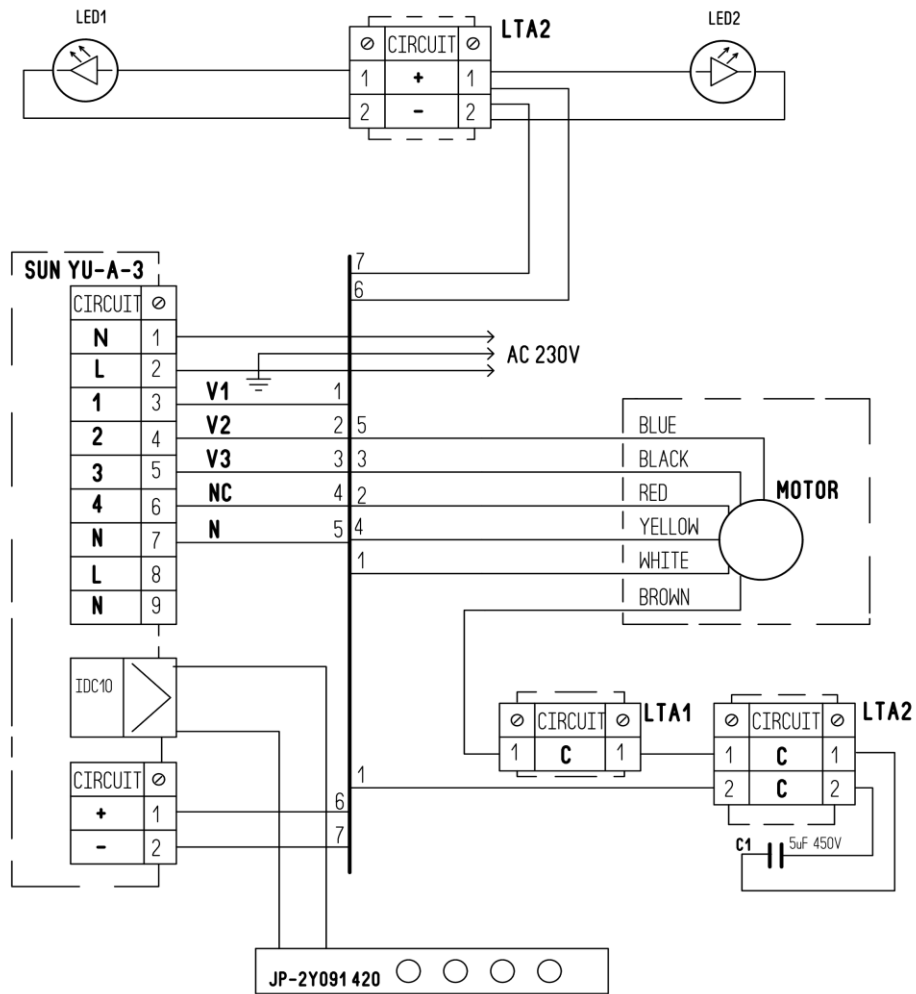


rajz.9



rajz.10

ELEKTROMOS DIAGRAM



A PÁRAELSZÍVÓ LEHETSÉGES HIBÁI

	Ellenőrizze az elektromos csatlakozásokat	Ellenőrizze, hogy bevan-e kapcsolva a motor	Ellenőrizze a lámpa kapcsolóját (bekapcsolva kell lennie)	Ellenőrizze az alumínium szűrőt (1,5 - 2 havonta egyszer mossa)	Ellenőrizze az azzatot (van-e benn feszültség)	Ellenőrizze a lámpákat	Ellenőrizze a levegő kimeneti csövét	Ellenőrizze a szénszűrőt (cserélje ki 1 alkalommal 3-4 hónap alatt)
A páraelszívó nem működik	●	●			●			
A lámpa nem világít	●		●		●	●		
Csökkent a páraelszívó kapacitása				●			●	●
A páraelszívó hangosabban működik				●			●	
Recirkulációs üzemmódban gyengén szívódik el a levegő				●				●